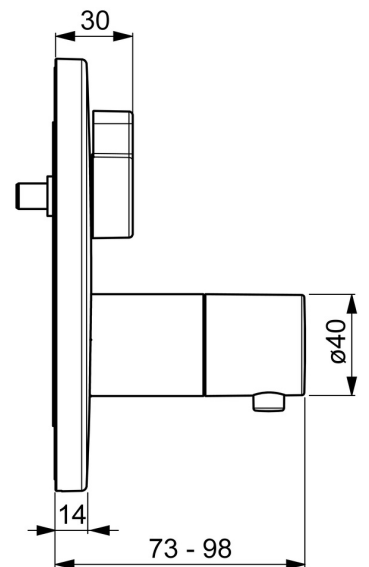
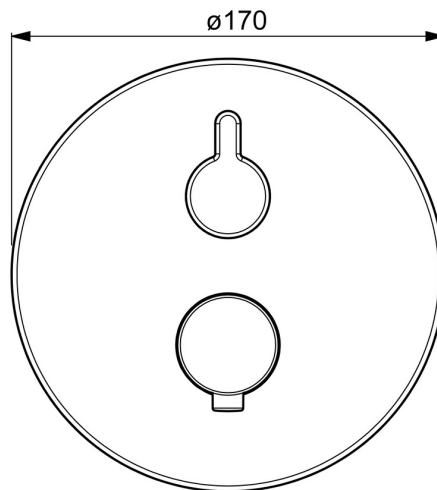
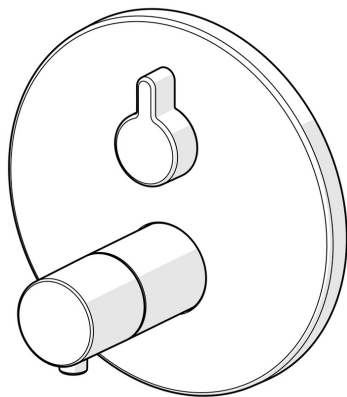


EAN: 4057304003769
static.hansa.com/40579083



- Shower solutions
- Thermostatic, Trim Kit
- Concealed wall mounting
- Chrome
- Temperature control handle, Flow control handle
- Safety stop against scalding at 38°C, Adjustable hot water stop (included, retrofittable)
- Ceramic head part for flow control, Thermostatic cartridge for automatic temperature control, Non-return valve(s)
- Round rosette, Fastening of the function unit with screws



Technical data

Flow properties

Flow-rate at 3 bar **19.8 l/min**

Technical properties

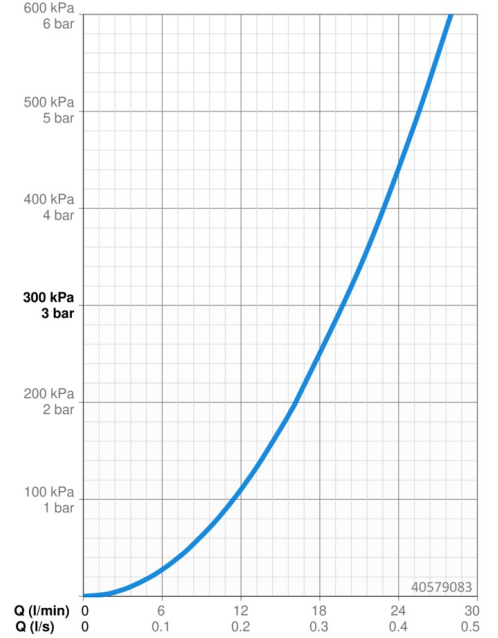
Hot water supply **max. +80°C**
 Working pressure **1-10 bar**
 Backflow prevention (EN1717) **EB**

Regulations

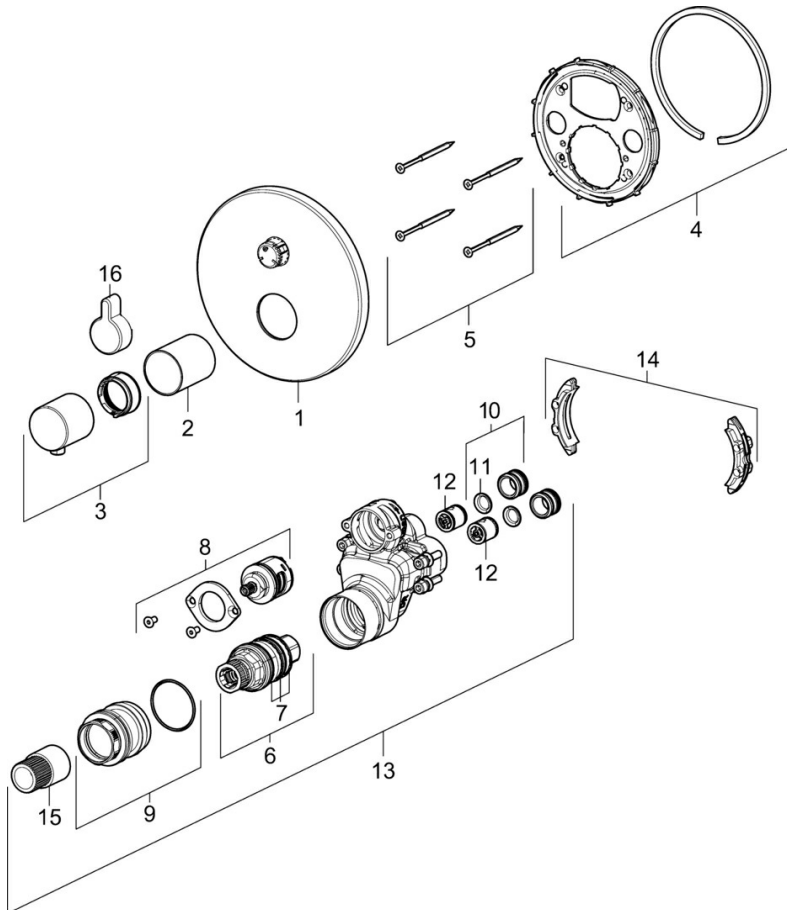
EN standard **EN 1111**

Approvals and Declarations

Declaration of conformity **DoC**



Spare parts



SP40579083

	Name	Code
01	Cover flange, d 170 mm	59914533
02	Cover sleeve	59914534
03	Temperature control handle	59914206
04	Fixing sleeve Discontinued	59914531
05	Screw, M4.5x80	59912890
06	Thermostatic cartridge, 3,4	59914114
07	O-ring kit	59914113
08	Diverter	59914183
09	Fixing screw, M36x1.5, SW30 Discontinued	59914538
10	Connection nipple, (2014-)	59913885
11	O-ring, d 14x2	59912982
12	Non-return valve	59905714
13	Functional unit	59914530
14	Adapter	59914217
15	Spindle	59914354
16	Diverter knob	59914541