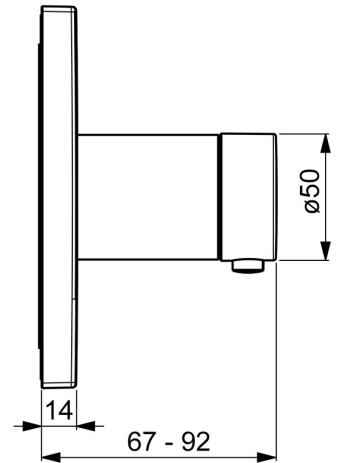
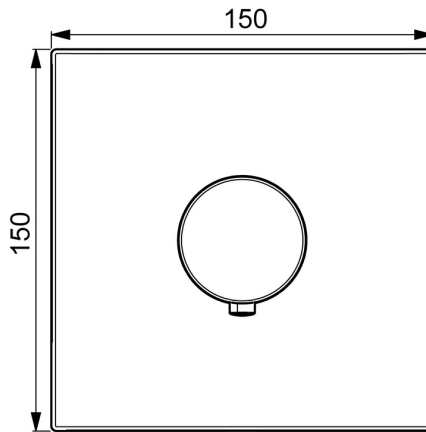
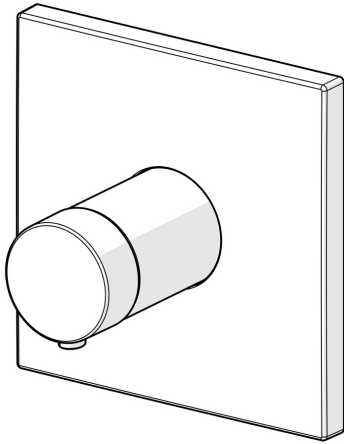


EAN: 4057304003738  
[static.hansa.com/40569073](https://static.hansa.com/40569073)



- Bathtub & Shower
- Thermostatic, Trim Kit
- Concealed wall mounting
- Chrome
- Temperature control handle
- Adjustable hot water stop (included, retrofittable), Safety stop against scalding at 38°C
- Thermostatic cartridge for automatic temperature control, Non-return valve(s)
- Square rosette, Fastening of the function unit with screws



## Technical data

### Flow properties

Flow-rate at 3 bar **20.4 l/min**

### Technical properties

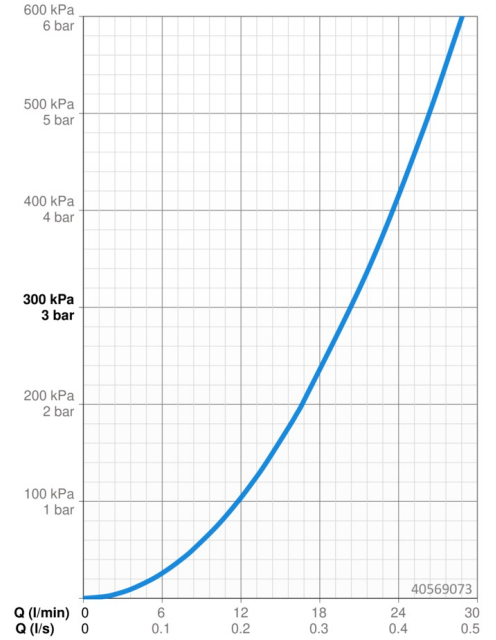
Hot water supply **max. +80°C**  
 Working pressure **1-10 bar**  
 Backflow prevention (EN1717) **EB**

### Regulations

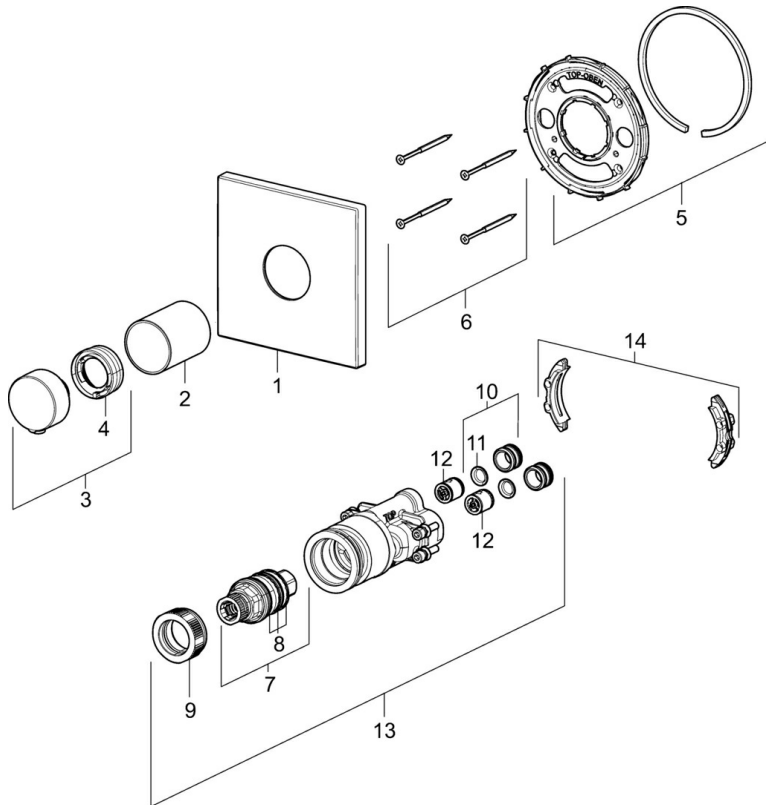
EN standard **EN 1111**

### Approvals and Declarations

Declaration of conformity **DoC**



## Spare parts



### SP40569073

	Name	Code
01	Cover flange, 150x150 mm	59914423
02	Cover sleeve Discontinued	59914529
03	Temperature control handle	59914360
04	Temperature adjustment limiter	59914426
05	Fixing part	59914422
06	Screw, M4,5x80	59912890
07	Thermostatic cartridge, 3,4	59914114
08	O-ring kit	59914113
09	Tightening nut, M36x1.5, SW38	59914319
10	Connection nipple, (2014-)	59913885
11	O-ring, d 14x2	59912982
12	Non-return valve	59905714
13	Functional unit	59914528
14	Adapter	59914217