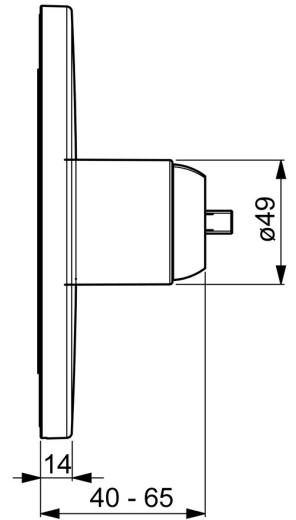
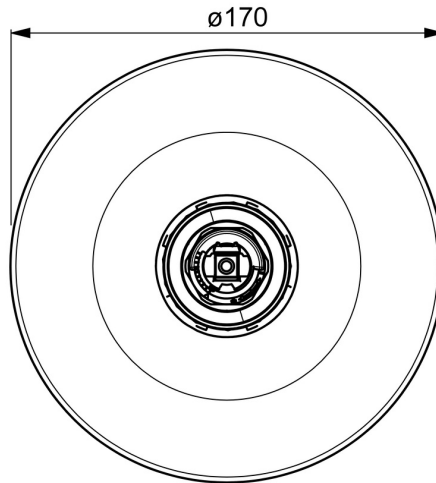
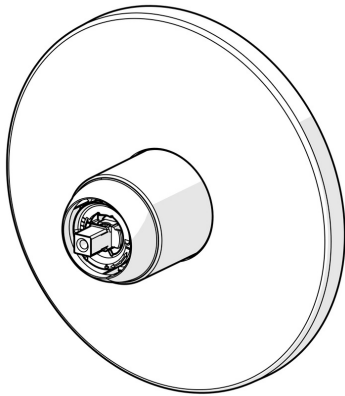


EAN: 4057304003721  
[static.hansa.com/40559183](https://static.hansa.com/40559183)



- Shower solutions
- Single-lever, Trim Kit
- Concealed wall mounting
- Chrome
- Limitation option for maximum temperature and flow-rate, Adjustable hot water stop (included, retrofittable)
- $\varnothing$  35 mm ceramic cartridge for flow and temperature control
- Round rosette, Fastening of the function unit with screws
- Without operation lever



## Technical data

### Flow properties

Flow-rate at 3 bar **22.2 l/min**

### Technical properties

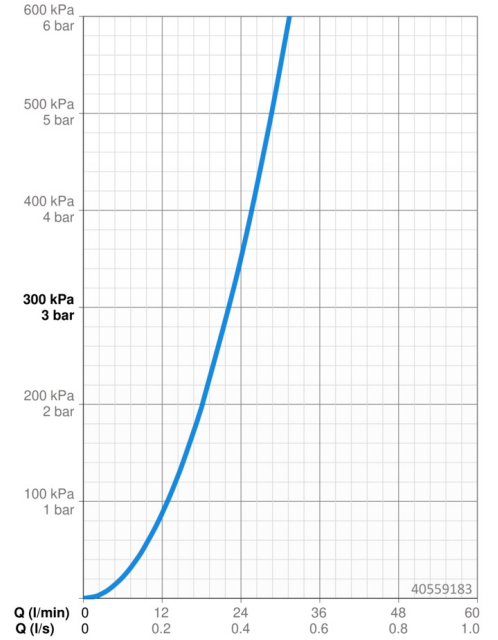
Hot water supply **max. +80°C**  
Working pressure **0.5-10 bar**

### Regulations

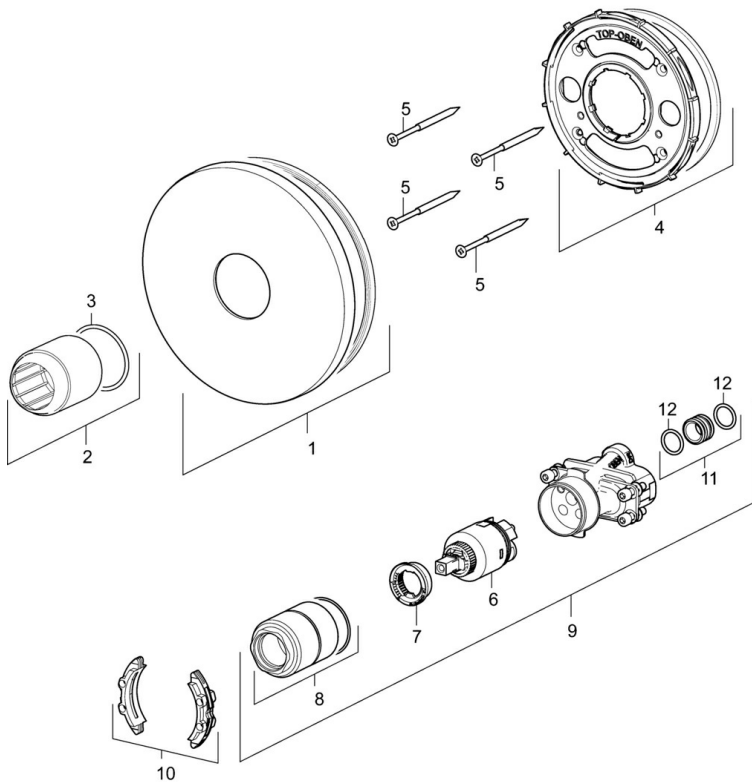
EN standard **EN 817**

### Approvals and Declarations

Declaration of conformity **DoC**



## Spare parts



### SP40559183

	Name	Code
01	Cover flange, d 170 mm	59914424
02	Cover sleeve	59912511
03	O-ring, 41x3	59913215
04	Fixing part	59914422
05	Screw, M4.5x80	59912890
06	Cartridge, 3.5 Classic	59913075
07	Temperature adjustment limiter	59912325
08	Screw sleeve, M38x1	59912115
09	Functional unit, 3.5	59914418
10	Adapter	59914217
11	Connection nipple, (2014-)	59913885
12	O-ring, d 14x2	59912982
N.I.	Raising kit, 20 mm	59912754