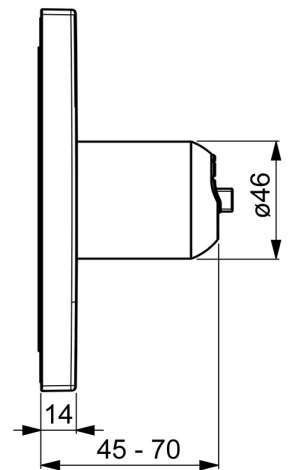
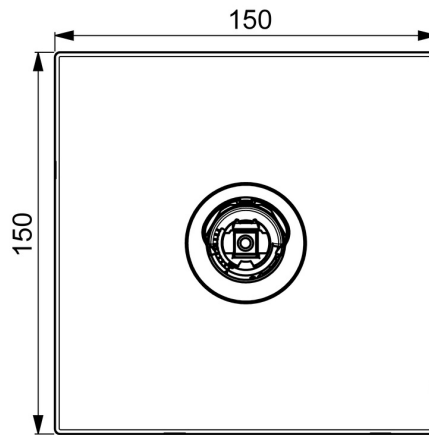
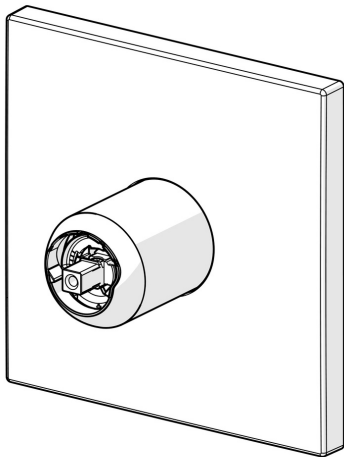


EAN: 4057304003691
static.hansa.com/40549173



- Shower solutions
- Single-lever, Trim Kit
- Concealed wall mounting
- Chrome
- Limitation option for maximum temperature and flow-rate, Adjustable hot water stop (included, retrofittable)
- \varnothing 35 mm ceramic cartridge for flow and temperature control
- Square rosette, Fastening of the function unit with screws
- Without operation lever



Technical data

Flow properties

Flow-rate at 3 bar **22.2 l/min**

Technical properties

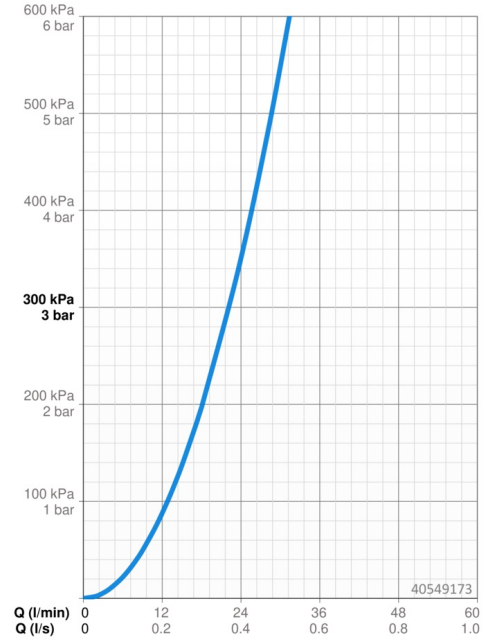
Hot water supply **max. +80°C**
Working pressure **0.5-10 bar**

Regulations

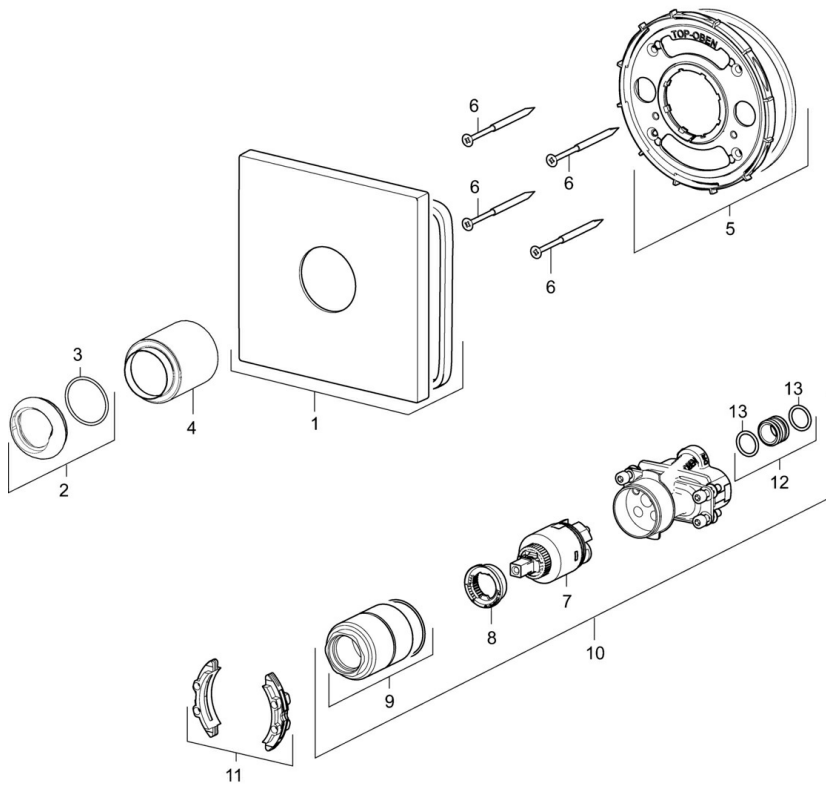
EN standard **EN 817**

Approvals and Declarations

Declaration of conformity **DoC**



Spare parts



SP40549173

	Name	Code
01	Cover flange, 150x150 mm Discontinued	59914419
02	Covering cap	59913364
03	O-ring, d 38x2	59913212
04	Cover sleeve	59913375
05	Fixing part Discontinued	59914420
06	Screw, M4,5x80	59912890
07	Cartridge, 3.5 Classic	59913075
08	Temperature adjustment limiter	59912325
09	Screw sleeve, M38x1	59912115
10	Functional unit, 3.5	59914418
11	Adapter	59914217
12	Connection nipple, (2014-)	59913885
13	O-ring, d 14x2	59912982
N.I.	Cap	59913332
N.I.	Lever, L=50, M5 IG	59913335
N.I.	Raising kit, 20 mm	59912754