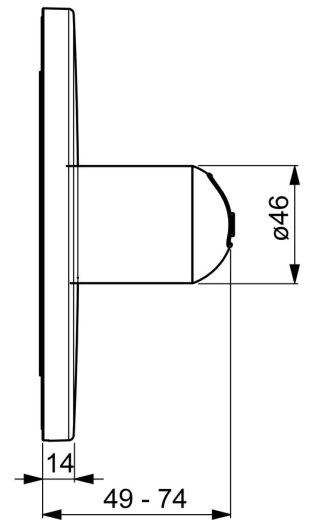
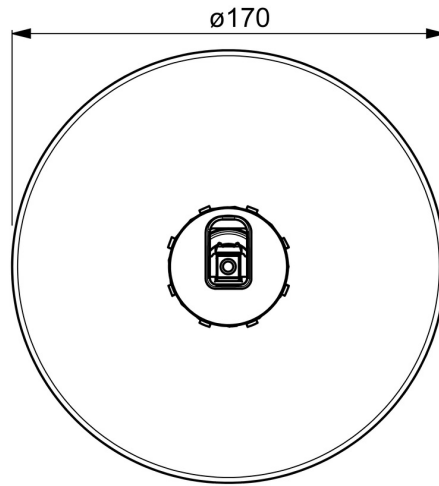
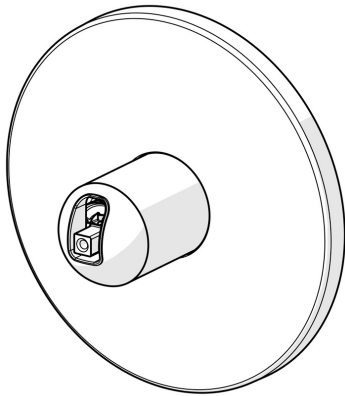


EAN: 4057304003684
static.hansa.com/40539183



- Shower solutions
- Single-lever, Trim Kit
- Concealed wall mounting
- Chrome
- Limitation option for maximum temperature and flow-rate, Adjustable hot water stop (included, retrofittable)
- \varnothing 35 mm ceramic cartridge for flow and temperature control
- Round rosette, Fastening of the function unit with screws
- Without operation lever



Technical data

Flow properties

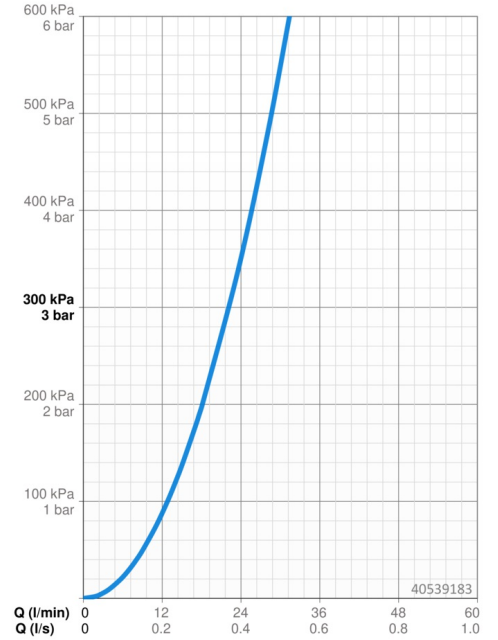
Flow-rate at 3 bar **22.2 l/min**

Technical properties

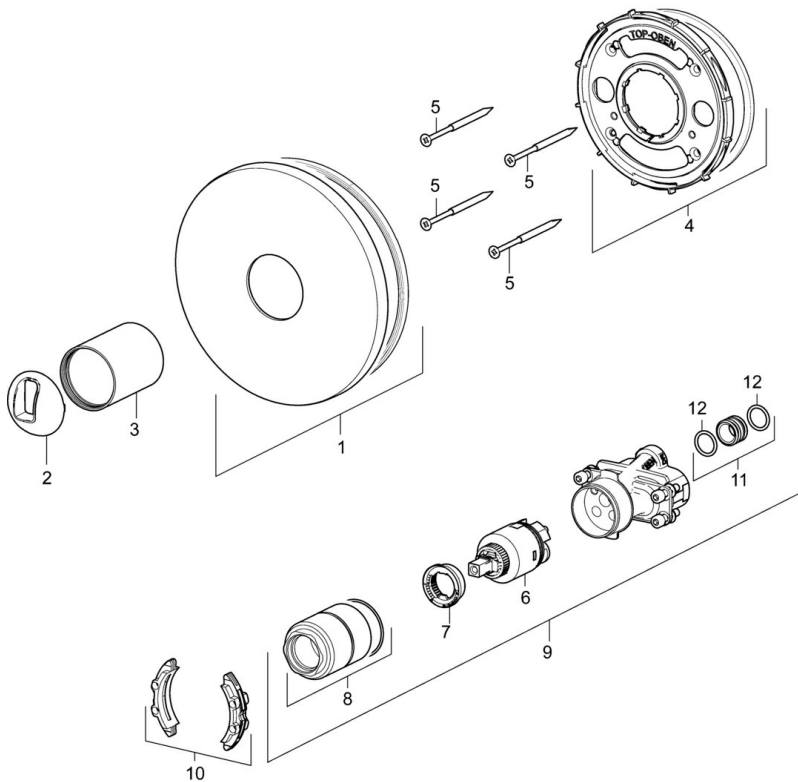
Hot water supply **max. +80°C**
Working pressure **0.5-10 bar**

Regulations

EN standard **EN 817**



Spare parts



SP40539183

| | Name | Code |
|------|-------------------------------------|----------|
| 01 | Cover flange, d 170 mm Discontinued | 59914421 |
| 02 | Covering cap | 59914016 |
| 03 | Cover sleeve | 59913375 |
| 04 | Fixing part Discontinued | 59914420 |
| 05 | Screw, M4.5x80 | 59912890 |
| 06 | Cartridge, 3.5 Classic | 59913075 |
| 07 | Temperature adjustment limiter | 59912325 |
| 08 | Screw sleeve, M38x1 | 59912115 |
| 09 | Functional unit, 3.5 | 59914418 |
| 10 | Adapter | 59914217 |
| 11 | Connection nipple, (2014-) | 59913885 |
| 12 | O-ring, d 14x2 | 59912982 |
| N.I. | Raising kit, 20 mm | 59912754 |
| N.I. | Lever | 59914017 |