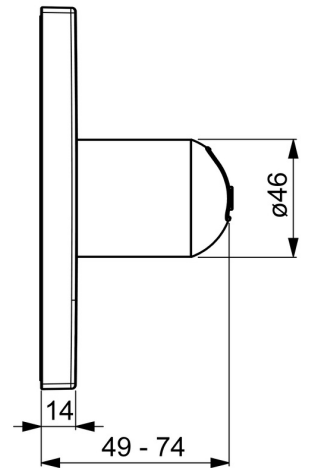
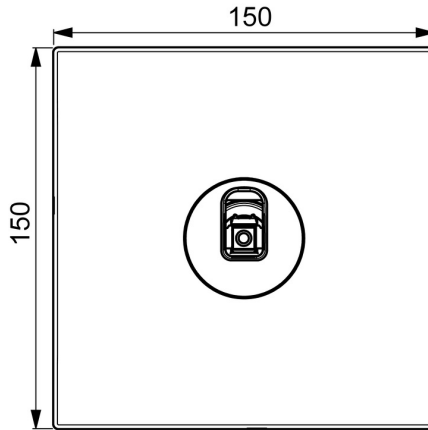
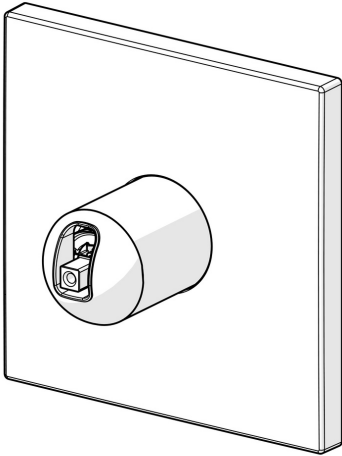


EAN: 4057304003677
static.hansa.com/40539173



- Shower solutions
- Single-lever, Trim Kit
- Concealed wall mounting
- Chrome
- Limitation option for maximum temperature and flow-rate, Adjustable hot water stop (included, retrofittable)
- \varnothing 35 mm ceramic cartridge for flow and temperature control
- Square rosette, Fastening of the function unit with screws
- Without operation lever



Technical data

Flow properties

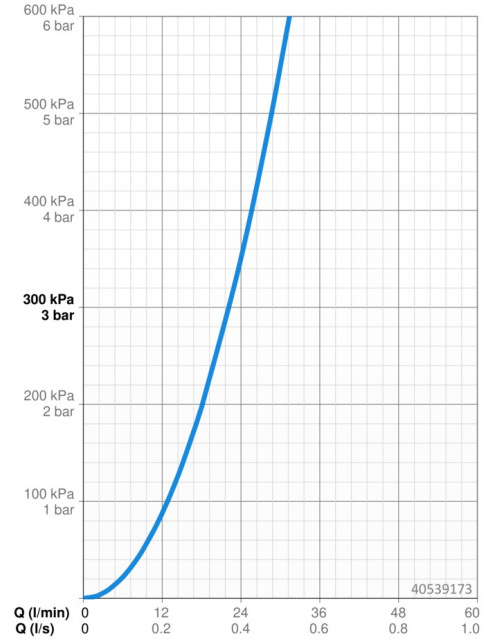
Flow-rate at 3 bar **22.2 l/min**

Technical properties

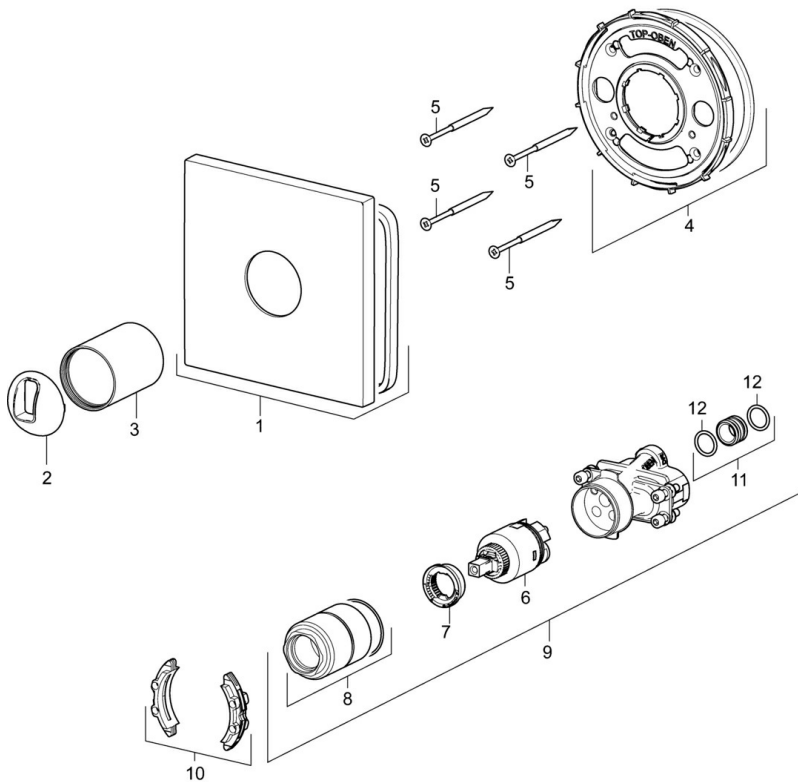
Hot water supply **max. +80°C**
Working pressure **0.5-10 bar**

Regulations

EN standard **EN 817**



Spare parts



SP40539173

	Name	Code
01	Cover flange, 150x150 mm Discontinued	59914419
02	Covering cap	59914016
03	Cover sleeve	59913375
04	Fixing part Discontinued	59914420
05	Screw, M4.5x80	59912890
06	Cartridge, 3.5 Classic	59913075
07	Temperature adjustment limiter	59912325
08	Screw sleeve, M38x1	59912115
09	Functional unit, 3.5	59914418
10	Adapter	59914217
11	Connection nipple, (2014-)	59913885
12	O-ring, d 14x2	59912982
N.I.	Raising kit, 20 mm	59912754
N.I.	Lever	59914017