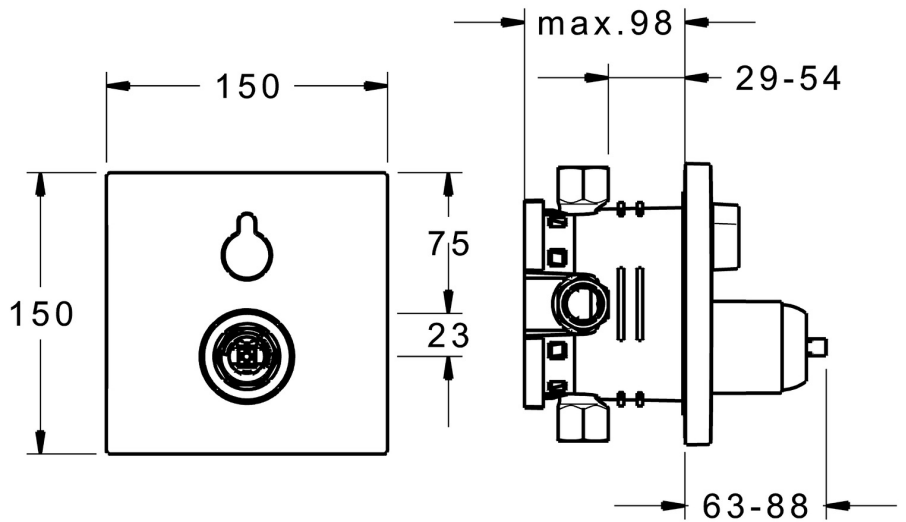
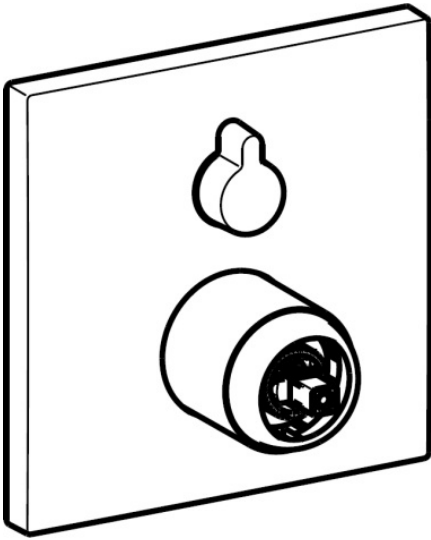


EAN: 4015474274686  
[static.hansa.com/40529073](https://static.hansa.com/40529073)



- Bathtub & Shower
- Single-lever, Trim Kit
- Concealed wall mounting
- Chrome
- Turn operated diverter
- Limitation option for maximum temperature and flow-rate, Adjustable hot water stop (included, retrofittable)
- $\varnothing$  35 mm ceramic cartridge for flow and temperature control
- Square rosette, Fastening of the function unit with screws
- Without operation lever



## Technical data

### Flow properties

Flow-rate at 3 bar **22.2 / 21.0 l/min**

### Technical properties

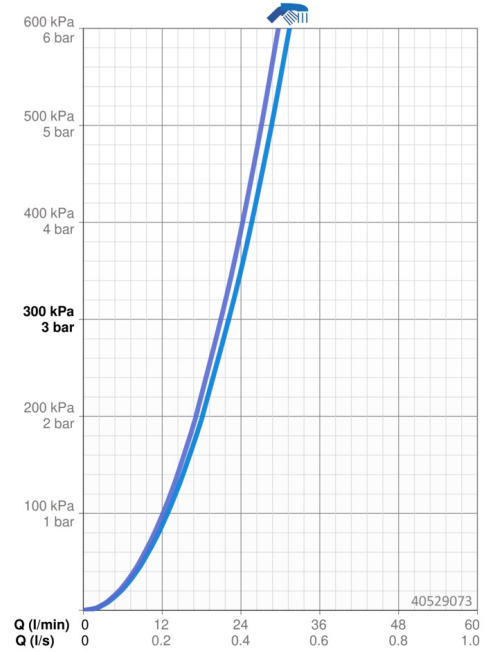
Hot water supply **max. +80°C**  
Working pressure **0.5-10 bar**

### Regulations

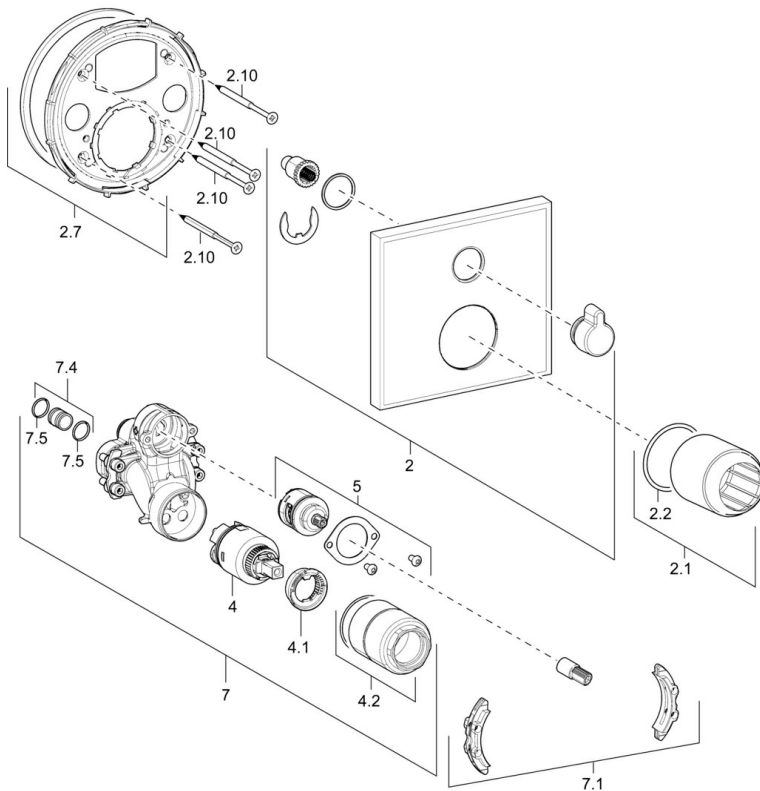
EN standard **EN 817**

### Approvals and Declarations

Declaration of conformity **DoC**  
EPD **S-P-07752**



## Spare parts



### SP40529073

	Name	Code
2	Cover flange, 150x150 mm	59914222
2.1	Cover sleeve	59912511
2.2	O-ring, 41x3	59913215
2.7	Fixing part	59914218
2.10	Screw, M4.5x80	59912890
4	Cartridge, 3.5 Classic	59913075
4.1	Temperature adjustment limiter	59912325
4.2	Screw sleeve, M38x1	59912115
5	Diverter	59914183
7	Functional unit, 3.5	59914216
7.1	Adapter	59914217
7.4	Connection nipple, (2014-)	59913885
7.5	O-ring, d 14x2	59912982
N.I.	Raising kit, 20 mm	59912754
N.I.	Vacuum breaker	59914059