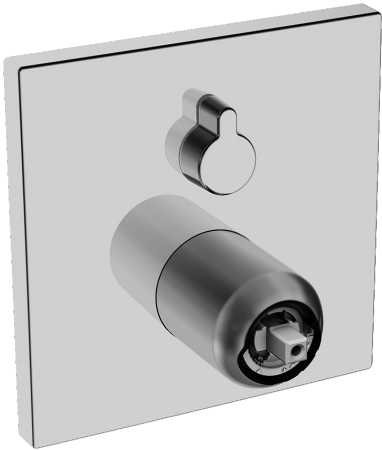
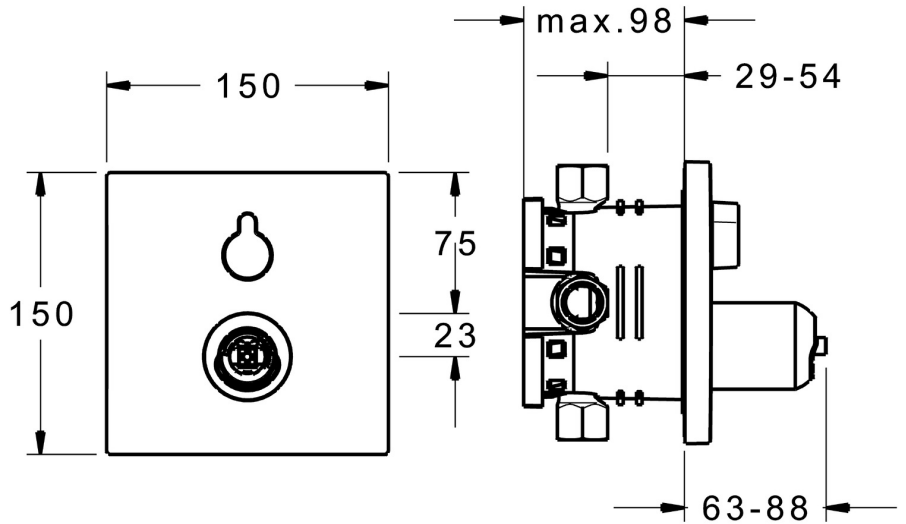
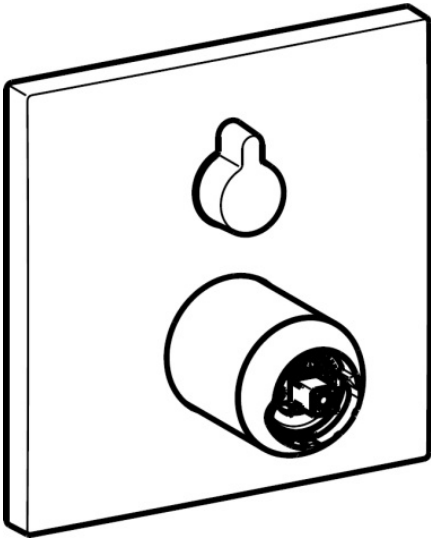


EAN: 4015474274655  
[static.hansa.com/40519073](http://static.hansa.com/40519073)



- Bathtub & Shower
- Trim Kit, Single-lever
- Concealed wall mounting
- Chrome
- Turn operated diverter
- Limitation option for maximum temperature and flow-rate, Adjustable hot water stop (included, retrofittable)
- $\varnothing$  35 mm ceramic cartridge for flow and temperature control
- Square rosette, Fastening of the function unit with screws
- Without operation lever



## Technical data

### Flow properties

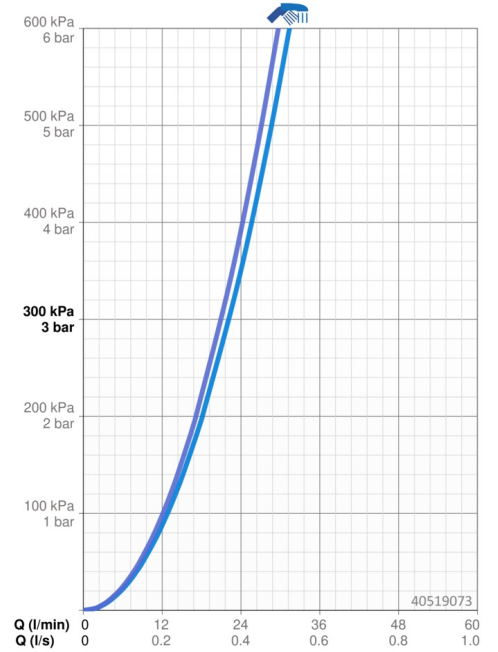
Flow-rate at 3 bar **22.2 / 21.0 l/min**

### Technical properties

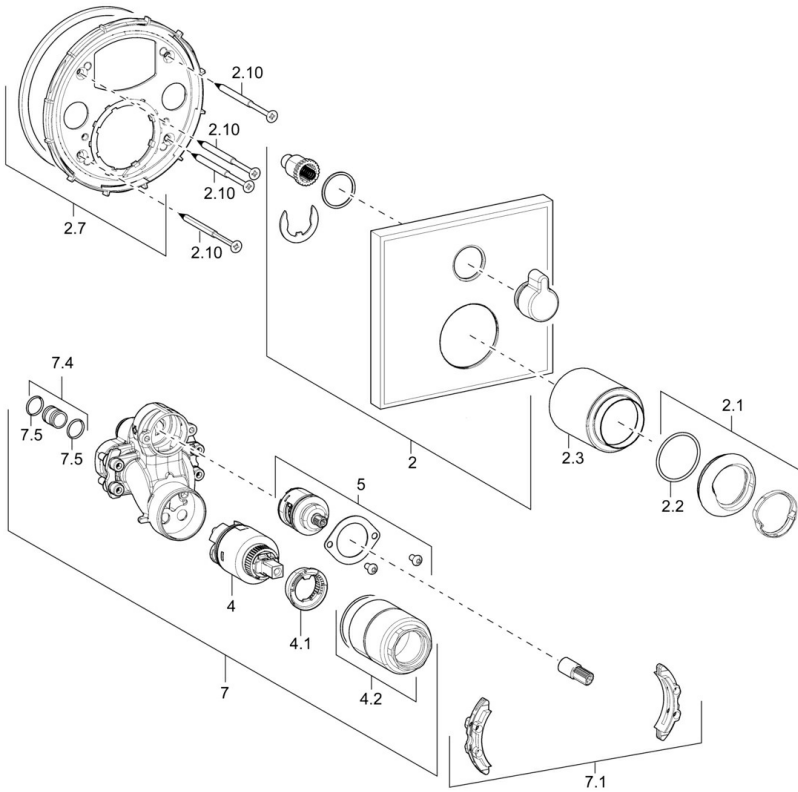
DN-size (nominal dimension) **DN15**  
 Hot water supply **max. +80°C**  
 Working pressure **0.5-10 bar**

### Regulations

EN standard **EN 817**



## Spare parts



### SP40519073

	Name	Code
2	Cover flange, 150x150 mm	59914220
2.1	Covering cap	59913364
2.2	O-ring, d 38x2	59913212
2.3	Cover sleeve	59913375
2.7	Fixing part	59914218
2.10	Screw, M4,5x80	59912890
4	Cartridge, 3.5 Classic	59913075
4.1	Temperature adjustment limiter	59912325
4.2	Screw sleeve, M38x1	59912115
5	Diverter	59914183
7	Functional unit, 3.5	59914216
7.1	Adapter	59914217
7.4	Connection nipple, (2014-)	59913885
7.5	O-ring, d 14x2	59912982
N.I.	Lever, L=50, M5 IG	59913335
N.I.	Vacuum breaker	59914059
N.I.	Raising kit, 20 mm	59912754
N.I.	Cap	59913332