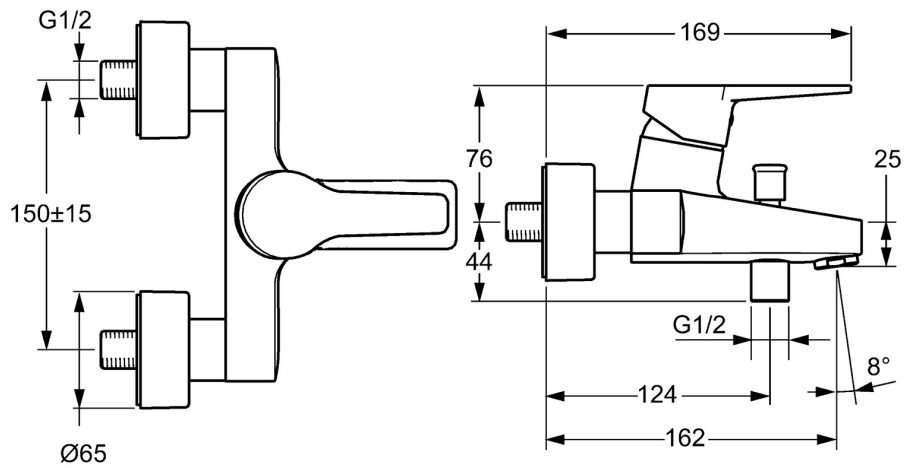
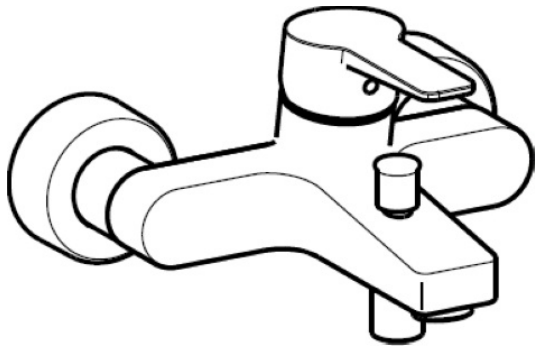


EAN: 4015474273931
static.hansa.com/402421830061



- Bath tub & Shower
- Single-lever
- Wall mounted
- Chrome
- Hot/Cold symbols, Single operating lever/handle
- Pull operated diverter, Integrated into spout, Automatic reset
- Limitation option for maximum temperature and flow-rate, Adjustable hot water stop (included, retrofittable)
- Non-return valve(s), \varnothing 35 mm ceramic cartridge for flow and temperature control
- Eccentric coupling(s), Cover plate(s)
- Inner body made of DZR brass
- protected against back-flow in domestic use (according to DIN EN 1717)



Technical data

Flow properties

Flow-rate at 3 bar **20.4 / 19.2 l/min**

Technical properties

DN-size (nominal dimension) **DN15**
 Hot water supply **max. +90°C**
 Working pressure **0.5-10 bar**
 Connection size **G3/4**
 Installation width **150 ± 15 mm**
 Projection **162 mm**
 Backflow prevention (EN1717) **EB**
 Material **Brass**

Regulations

EN standard **EN 817**

Approvals and Declarations

Declaration of conformity **DoC**

