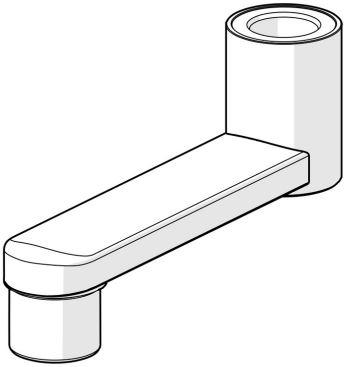


EAN: 6414150104138
static.hansa.com/290016



Designed for all Clinica wall mounted faucets with easy click connection

- Health & Care, Accessories
- Chrome
- Laminar stream
- Inner body made of DZR brass, Surfaces in contact with drinking water contain less than 0.3% lead, Waterways without nickel coating



Technical data

Technical properties

Projection	100 mm
Material	Brass

Spare parts

SP290016

	Name	Code
01	Aerator, M22x1 STD PL HC A Laminar	1003610V

