

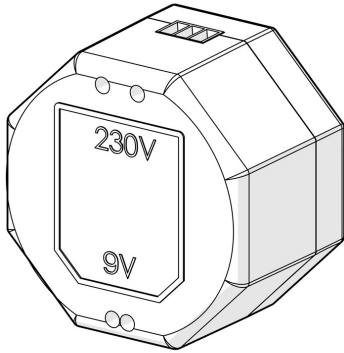
EAN: 6414150103025
static.hansa.com/290007



The power supply is designed for use with Oras Electra products (9 V). A maximum 5 of faucets can be connected to the power supply at a time (please check the amount of items from the products installation guide, because it could be limited smaller). The total length of the cable between the power supply and the faucet may not exceed 50 m. Low-voltage cable $2 \times > = 0.5 \text{ mm}^2$. The transformer is installed in a 70 mm appliance box equipped with a cover.

Power supply installation must be carried out by a qualified electrician.

- Accessories, Health & Care, Public & Semi-public
- Power supply



Technical data

Electronic properties

Electrical Connection	230 VAC
Output current	1.3 A
Number of devices connected	5

Regulations

EU Directives	CE Low Voltage Directive 2014/35/EU , EMC Directive 2014/30/EU , RoHS Directive 2011/65/EU
EN standard	ETSI EN 301 489-1 V1.9.2 , ETSI EN 300 328 v2.2.2 , EN 61000-6-1:2007 , EN 61000-6-3:2007+A1:2011+AC:2012 , EN 60335-1:2012+A11+A13+A14+A15:2021, Part 19.11.4
Protection class	IP 20

Approvals and Declarations

Declaration of conformity	LVD
---------------------------	-----