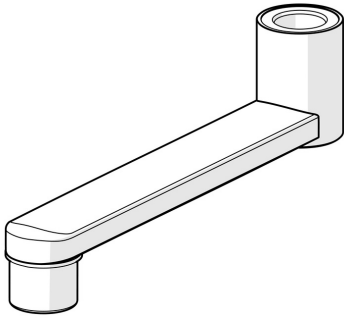


EAN: 6414150100680
static.hansa.com/290003

Designed for all Clinica wall mounted faucets with easy click connection

- Accessories, Health & Care
- Chrome
- Swivel spout, Casted construction



Technical data

Technical properties

Projection	150 mm
Material	Brass

Spare parts

SP290016

	Name	Code
01	Aerator, M22x1 STD PL HC A Laminar	1003610V

