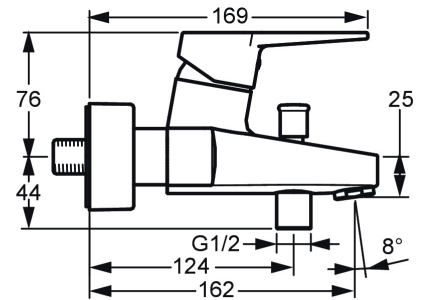
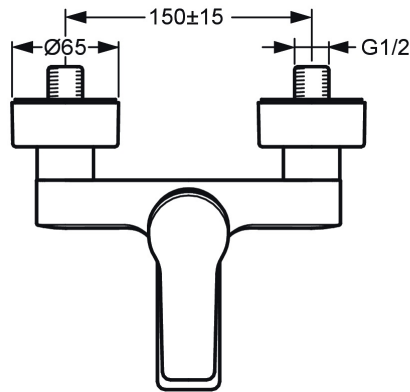
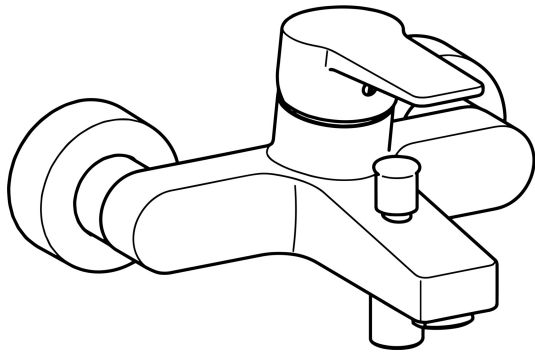


EAN: 4057304014345
static.hansa.com/0974218333



- Bathtub & Shower
- Single-lever
- Wall mounted
- Matt black
- Fixed spout
- Hot/Cold symbols, Single operating lever/handle
- Pull operated diverter, Automatic reset
- Limitation option for maximum temperature and flow-rate, Adjustable hot water stop (included, retrofittable)
- Non-return valve(s), \varnothing 35 mm ceramic cartridge for flow and temperature control
- Eccentric coupling(s), Cover plate(s), Silencer(s)
- Inner body made of DZR brass
- protected against back-flow in domestic use (according to DIN EN 1717)



Technical data

Flow properties

Flow-rate at 3 bar	20.4 / 19.2 l/min
Pressure loss with flow (0.3 l/s)	2.5 bar

Technical properties

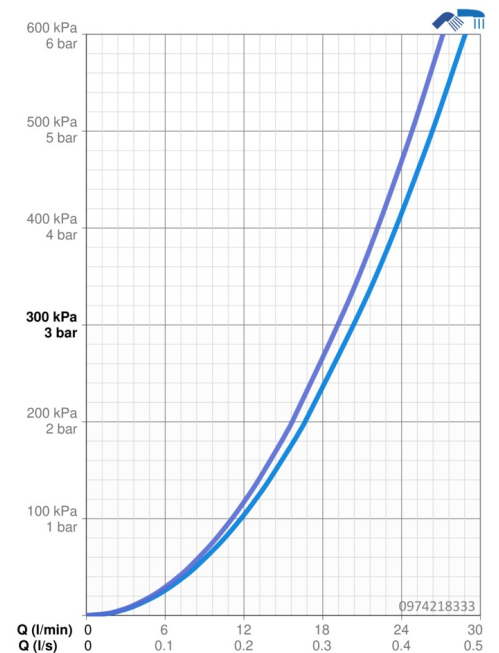
DN-size (nominal dimension)	DN15
Hot water supply	max. +90°C
Working pressure	0.5-10 bar
Connection size	G3/4
Installation width	150 ± 15 mm
Projection	162 mm
Backflow prevention (EN1717)	EB
Material	Brass

Regulations

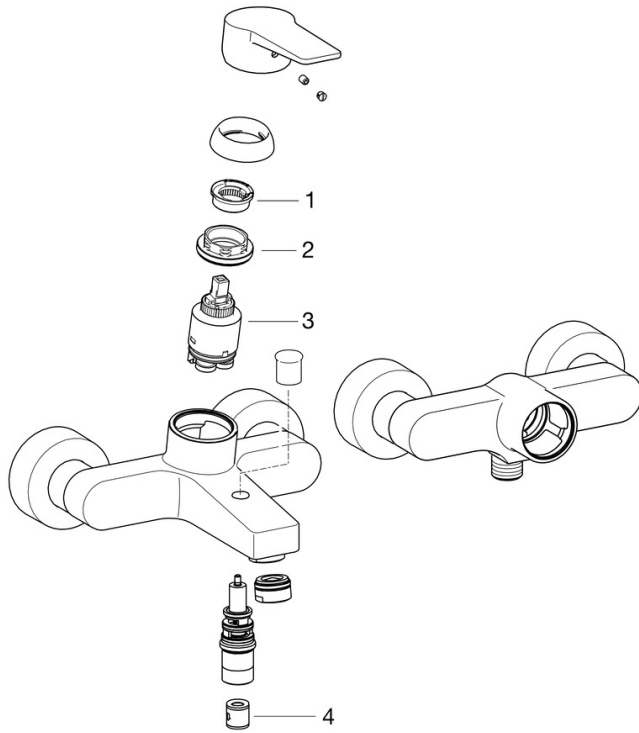
EN standard	EN 817
Noise class	I (ISO 3822)

Approvals and Declarations

KIWA	K6116/08
Declaration of conformity	DoC
EPD	S-P-06397



Spare parts



SP0974218333

	Name	Code
01	Temperature adjustment limiter	59912325
02	Tightening nut, M40x1	1003409V
03	Cartridge, 3.5 Classic	59913075
04	Non-return valve	59905714