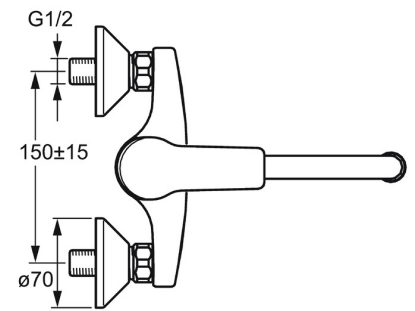
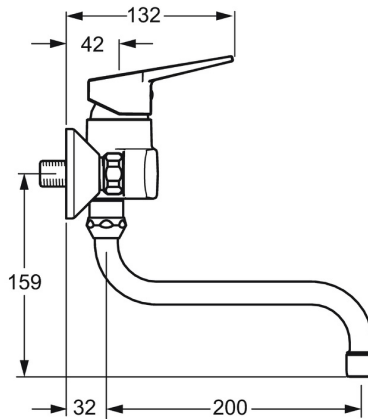
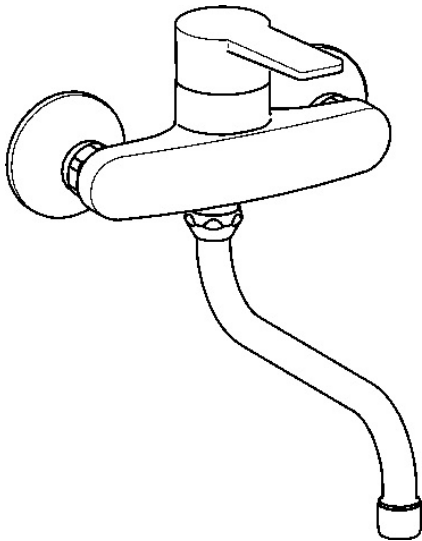


EAN: 4015474269644  
[static.hansa.com/09692193](https://static.hansa.com/09692193)



- Kitchen
- Single-lever
- Wall mounted
- Chrome
- Swivel spout
- Standard aerator
- Hot/Cold symbols, Single operating lever/handle
- Limitation option for maximum temperature and flow-rate, Adjustable hot water stop (included, retrofittable)
- $\varnothing$  35 mm ceramic cartridge for flow and temperature control
- Eccentric coupling(s), Silencer(s)
- Inner body made of DZR brass



## Technical data

### Flow properties

Flow-rate at 3 bar **13.2 l/min**

### Technical properties

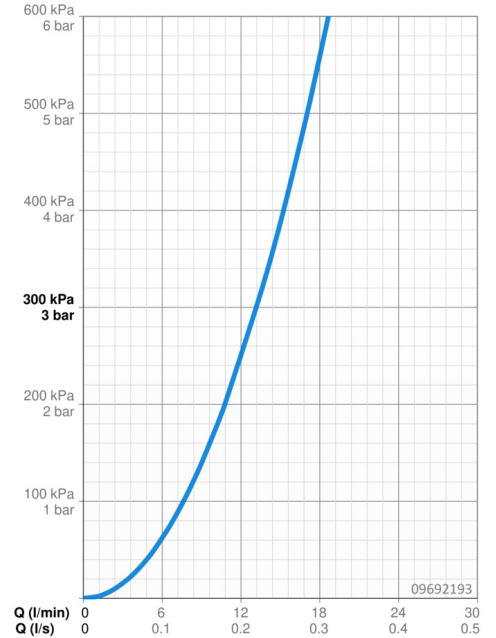
DN-size (nominal dimension) **DN15**  
 Hot water supply **max. +80°C**  
 Working pressure **0.5-10 bar**  
 Connection size **G3/4**  
 Installation width **150 ± 15 mm**  
 Projection **232 mm**  
 Backflow prevention (EN1717) **AA**  
 Material **Brass**

### Regulations

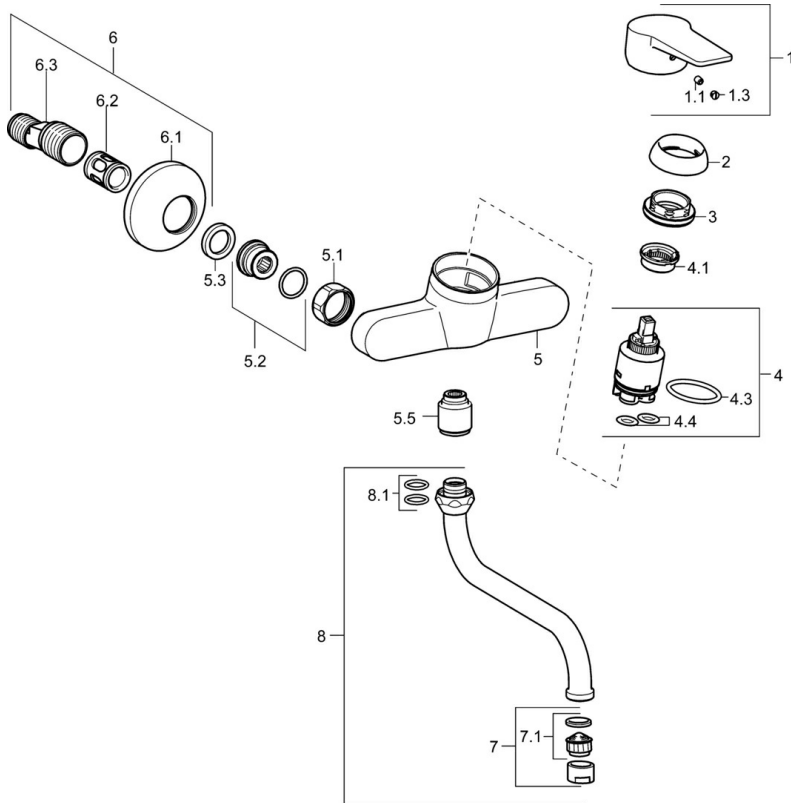
EN standard **EN 817**  
 Noise class **I (ISO 3822)**

### Approvals and Declarations

KIWA **K6116/08**  
 ABP **PA-IX 38248/IA**  
 Declaration of conformity **DoC**



## Spare parts



### SP09692193

	Name	Code
1	Lever	59913911
1	Lever	59913910
1.1	Screw, M5x8, SW2.5	59904755
1.3	Symbol plug Grey	59912112
2	Covering cap, 33x3 mm	59912504
3	Tightening nut, M37x1, AF30 Discontinued	59912111
4	Cartridge, 3.5 Eco	59912324
4	Cartridge, 3.5 Classic	59913075
4.1	Temperature adjustment limiter	59912325
4.3	O-ring, d 28.24x2.62 Discontinued	59912590
4.4	O-ring, d 10.10x1.60 Discontinued	59905072
5.1	Connection nut, G3/4, AF30	59902230
5.2	Connector	59913400
5.3	Retaining ring, 23.9x15.2x2	59902689
5.5	Nipple, G1/2xG3/4 Discontinued	59912233
6	Eccentric, G3/4xG1/2	59904793
6.1	Cover flange	59904796
6.2	Silencer	59904792
6.3	Eccentric connector, G3/4xG1/2, DN15	59910254
7	Aerator, M22x1 A Discontinued	59902365
7.1	Aerator, M22/24 A	59902081
8	Spout, L=200, G3/4	59911171
8.1	O-ring, d 13.5x2.75	59910551
N.I.	Key, SW30/34	59912108