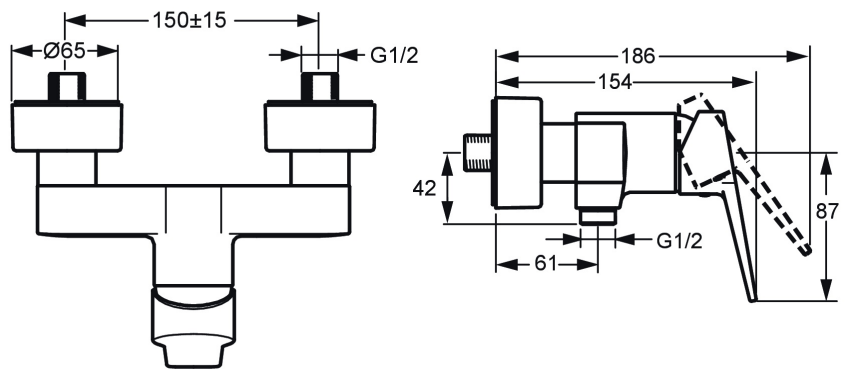
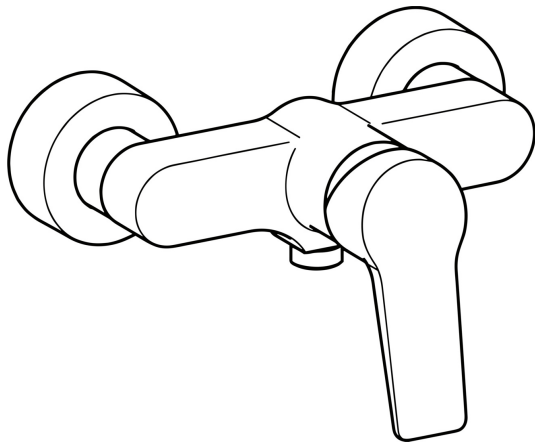


EAN: 4015474259874
static.hansa.com/09670183



- Shower solutions
- Single-lever
- Wall mounted
- Chrome
- Hot/Cold symbols, Single operating lever/handle
- Limitation option for maximum temperature and flow-rate, Adjustable hot water stop (included, retrofittable)
- Non-return valve(s), \varnothing 35 mm ceramic cartridge for flow and temperature control
- Eccentric coupling(s), Cover plate(s), Silencer(s)
- Inner body made of DZR brass
- protected against back-flow in domestic use (according to DIN EN 1717)



Technical data

Flow properties

Flow-rate at 3 bar	16.8 l/min
Pressure loss with flow (0.2 l/s)	1.6 bar

Technical properties

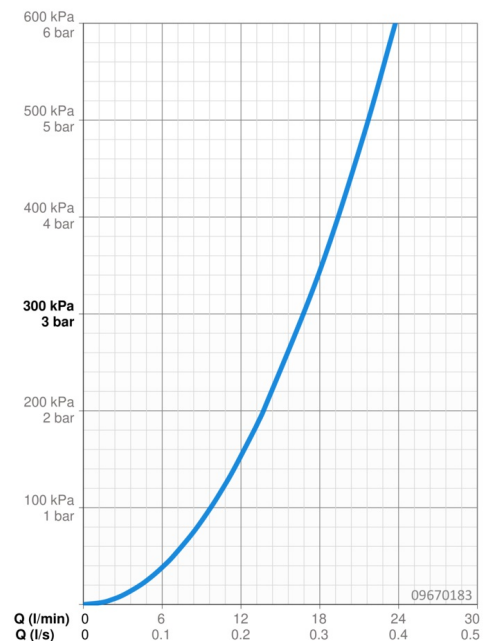
DN-size (nominal dimension)	DN15
Hot water supply	max. +90°C
Working pressure	0.5-10 bar
Connection size	G3/4
Installation width	150 \pm 15 mm
Backflow prevention (EN1717)	EB
Material	Brass

Regulations

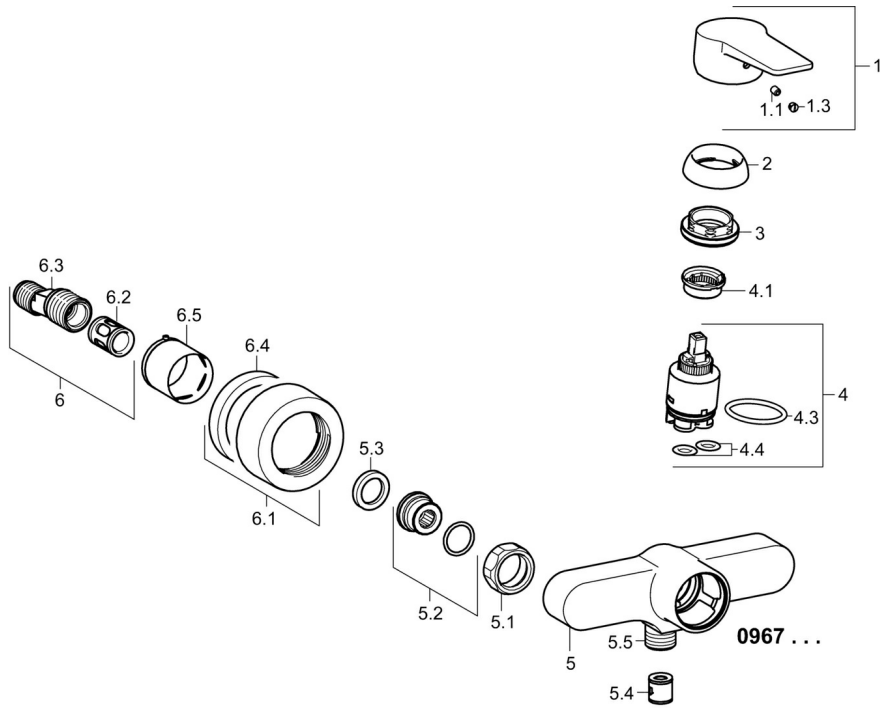
EN standard	EN 817
Noise class	I (ISO 3822)

Approvals and Declarations

KIWA	K6116/08
DVGW	NW-6506CQ0410
ABP	PA-IX 38249/IB
Declaration of conformity	DoC
EPD	S-P-06397



Spare parts



SP09670183

	Name	Code
1	Lever	59913910
1	Lever	59913911
1.1	Screw, M5x8, SW2.5	59904755
1.3	Symbol plug Grey	59912112
2	Covering cap, 33x3 mm	59912504
3	Tightening nut, M40x1	1003409V
4	Cartridge, 3.5 Eco	59912324
4	Cartridge, 3.5 Classic	59913075
4.1	Temperature adjustment limiter	59912325
4.3	O-ring, d 28.24x2.62 Discontinued	59912590
4.4	O-ring, d 10.10x1.60 Discontinued	59905072
5.1	Connection nut, G3/4, AF30	59902230
5.2	Connector	59913400
5.3	Retaining ring, 23.9x15.2x2	59902689
5.4	Non-return valve	59905714
5.5	Thread nipple, G1/2xM18x1	59911384
6.1	Cover flange	59913432
6.2	Silencer	59904792
6.3	Eccentric connector, G3/4xG1/2, DN15	59910254
6.5	Cover sleeve	59912651
N.I.	Key, SW30/34	59912108