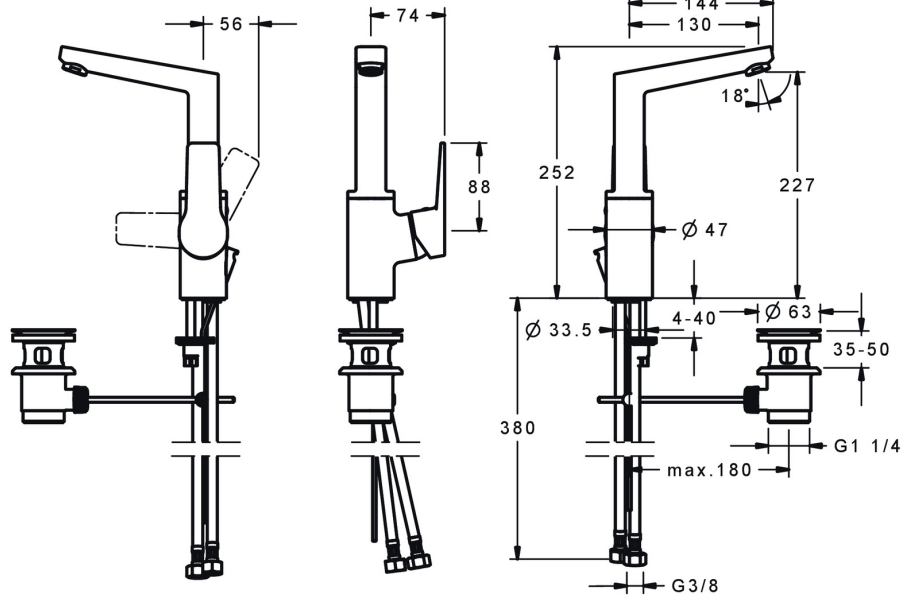
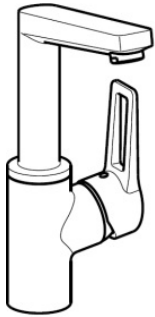


EAN: 4015474274754
static.hansa.com/09542205



- Washbasin
- Single-lever, side operated
- Deck mounted
- Chrome
- Swivel spout, Swivel range limiting option
- PCA® - constant flow rate regardless of pressure variations
- Hot/Cold symbols, Loop shape, Single operating lever/handle
- Pop-up waste with draw-rod
- Limitation option for maximum temperature and flow-rate, Adjustable hot water stop (included, retrofittable)
- ø 35 mm ceramic cartridge for flow and temperature control
- Flexible inlet pipes
- Inner body made of DZR brass, Rapid installation system



Technical data

Flow properties

Flow-rate at 3 bar (with flow controller) **6.0 l/min**

Technical properties

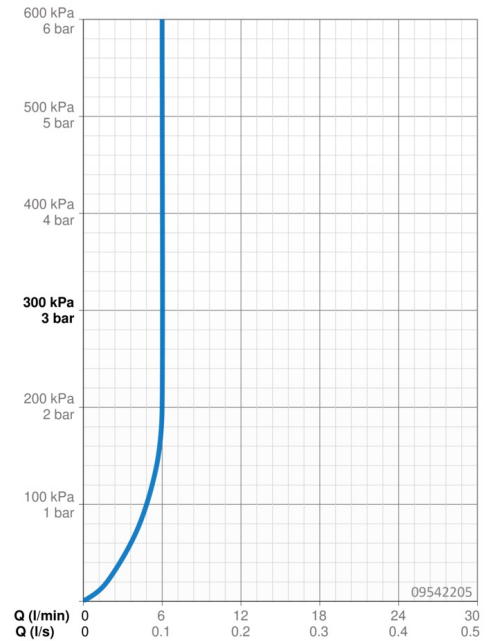
DN-size (nominal dimension) **DN15**
 Hot water supply **max. +70°C**
 Working pressure **0.5-10 bar**
 Connection size **G3/8**
 Projection **130 mm**
 Backflow prevention (EN1717) **AA**
 Material **Brass**

Regulations

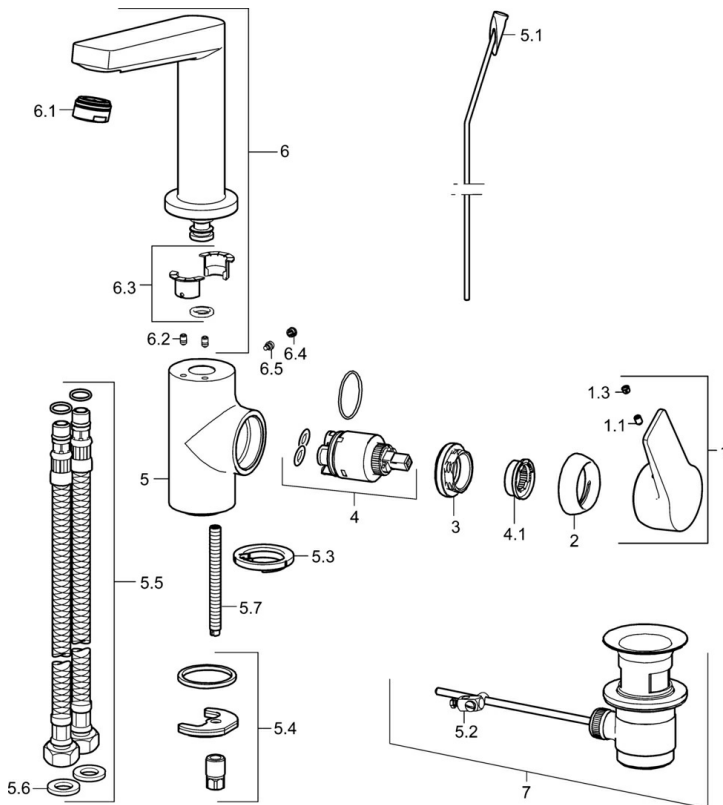
EN standard **EN 817**
 Noise class **I (ISO 3822)**

Approvals and Declarations

DVGW **NW-6506CQ0410**
 ABP **PA-IX 38405/IO**
 Declaration of conformity **DoC**
 EPD **S-P-06391**



Spare parts



SP09542203

	Name	Code
1	Lever	59914199
1	Lever	59914200
1.1	Screw, M5x8, SW2.5	59904755
1.3	Symbol plug Grey	59912112
2	Covering cap, 33x3 mm	59912504
3	Tightening nut, M40x1	1003409V
4	Cartridge, 3.5 Classic	59913075
4.1	Temperature adjustment limiter	59912325
5.1	Pop-up operating rod	59913652
5.2	Swivel joint	59904624
5.3	Bottom seal	59914591
5.4	Fixing set	59910749
5.5	Flexible pipe, L=430, G3/8-M8x1	59913964
5.6	Gasket, 9.5x14.4x2	59912551
5.7	Fixing screw, M8x1, L=140	59912474
6	Spout Discontinued	59914201
6.1	Aerator, M24x1, 6 l/min	59913727
6.2	Fixing screw, M4x8	59913989
6.3	Sealing kit	59911884
6.4	Cover plug	59911840
6.5	Screw, M4x7	59902075
7	Pop-up waste	59904620
7	Pop-up waste, (2019-)	59914764