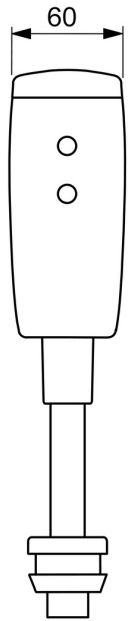
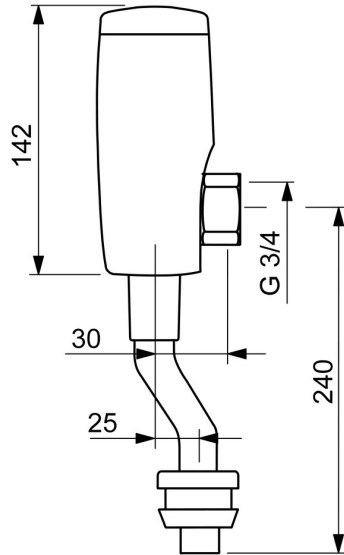
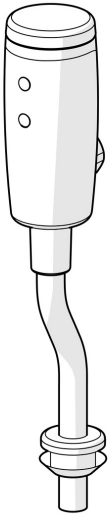


EAN: 4057304002328
static.hansa.com/09440183



- Public & Semi-public
- Battery-operated, Touchless
- Wall mounted
- Chrome
- Litter filter(s)
- Autofocus infrared sensor, Solenoid valve, Low battery indicator
- Direct connection, Internal thread, with integrated shut-off valve(s)
- Software settings adjustable via buttons
- Without couplings



Technical data

Flow properties

Flow-rate at 3 bar	12.0 l/min
Pressure loss with flow (0.2 l/s)	0.4 bar

Technical properties

DN-size (nominal dimension)	DN15
Hot water supply	max. +70°C
Working pressure	0.5-10 bar
Connection size	G3/4
Projection	81 mm
Material	Brass

Software settings

Automatic flush	24 h (off / 24h)
Automatic flush period	6 s
Pre-flush period	2 s (OFF / 2 s)

Electronic properties

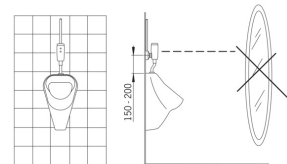
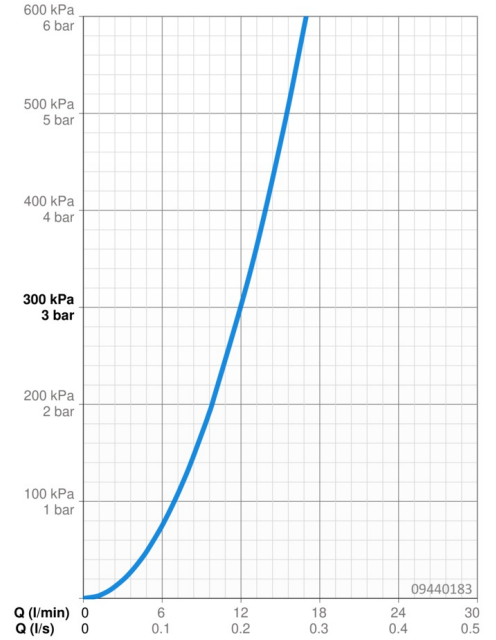
Battery	Lithium 2CR5 6 V
---------	-------------------------

Regulations

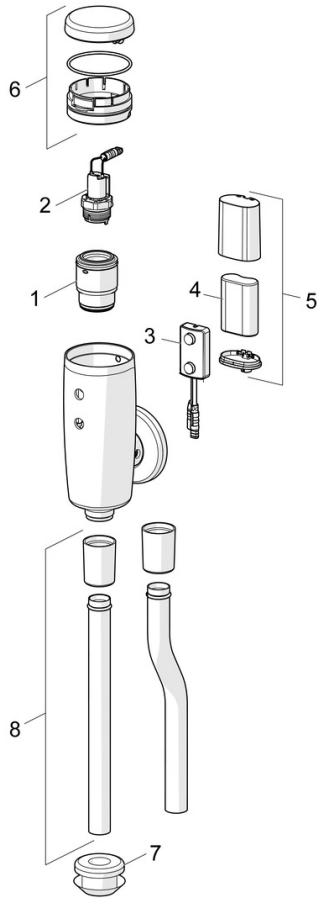
EU Directives	C € Low Voltage Directive 2014/35/EU , EMC Directive 2014/30/EU , RoHS Directive 2011/65/EU
EN standard	EN 15091, ETSI EN 301 489-1 V1.9.2 , ETSI EN 300 328 v2.2.2 , EN 61000-6-1:2007 , EN 61000-6-3:2007+A1:2011+AC:2012 , EN 60335-1:2012+A11+A13+A14+A14+A2+A15:2021, Part 19.11.4
Protection class	IP 55

Approvals and Declarations

UN38.3	BP 0001-3
Declaration of conformity	EMC



Spare parts



SP09440172

	Name	Code
01	Membrane housing	59914231
02	Pilot valve, 6 V	59914232
03	Sensor, 6/9/12 V Bluetooth	1002253V
03	Sensor, 6 V, (-2020)	59914233
04	Battery, 2CR5 6 V	59911670
05	Battery casing	59914154
06	Cap	59914234
07	Passing-through part	59914235
08	Flush pipe, 09440183	59914401
08	Flush pipe, 09440172	59914236