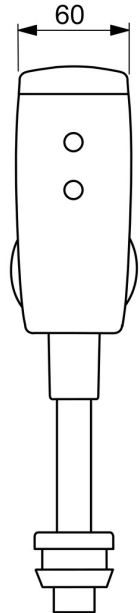
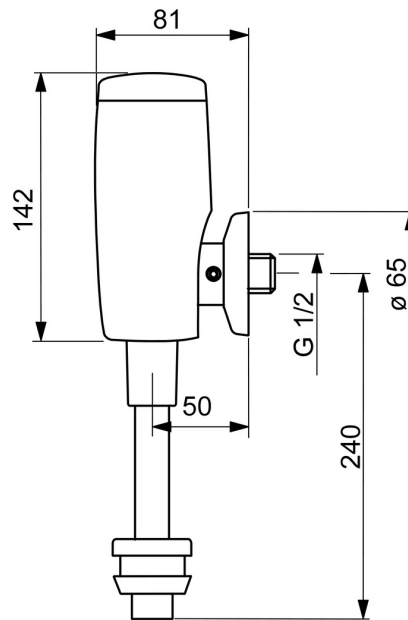
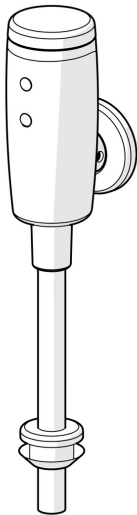


EAN: 4057304014017  
[static.hansa.com/09440179](http://static.hansa.com/09440179)



- Public & Semi-public, Industry
- Touchless, Bluetooth®, Battery-operated
- Wall mounted
- Chrome
- Autofocus infrared sensor, Solenoid valve, Low battery indicator
- Eccentric coupling(s), with integrated shut-off valve(s)
- Software settings adjustable via App



## Technical data

### Flow properties

Flow-rate at 3 bar	<b>33.6 l/min</b>
Pressure loss with flow (0.2 l/s)	<b>0.4 bar</b>

### Technical properties

DN-size (nominal dimension)	<b>DN15</b>
Hot water supply	<b>max. +70°C</b>
Working pressure	<b>0.5-10 bar</b>
Connection size	<b>G1/2</b>
Projection	<b>81 mm</b>
Material	<b>Brass</b>

### Software settings

Automatic flush	<b>24 h (off/1-120 h)</b>
Automatic flush period	<b>6 s (1-120 s)</b>
Pre-flush period	<b>2 s (OFF / 1-10 s)</b>

### Electronic properties

Battery	<b>Lithium 2CR5 6 V</b>
---------	-------------------------

### Regulations

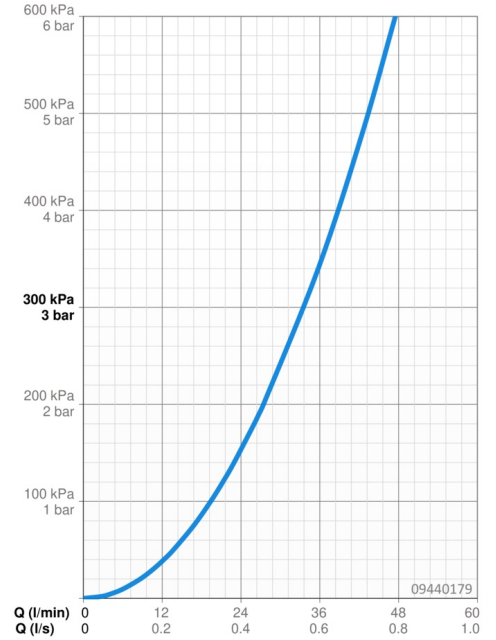
EU Directives	<b>C € Low Voltage Directive 2014/35/EU , EMC Directive 2014/30/EU , RoHS Directive 2011/65/EU</b>
EN standard	<b>EN 15091, ETSI EN 301 489-1 V1.9.2 , ETSI EN 300 328 v2.2.2 , EN 61000-6-1:2007 , EN 61000-6-3:2007+A1:2011+AC:2012 , EN 60335-1:2012+A11+A13+A1+A14+A2+A15:2021, Part 19.11.4</b>
Protection class	<b>IP 55</b>

### Approvals and Declarations

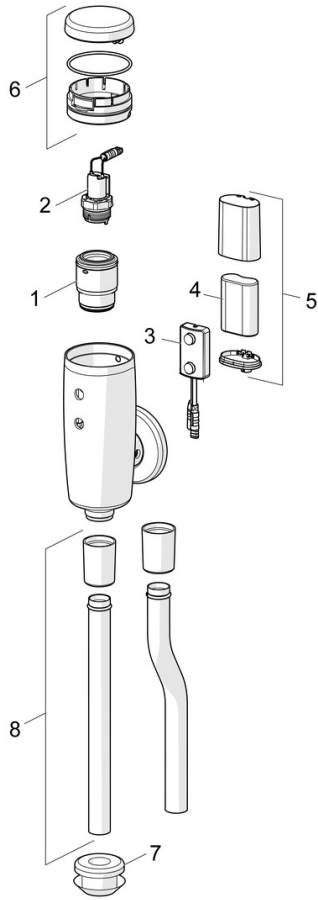
UN38.3	<b>UN38-3 Maxell 2CR5</b>
Declaration of conformity	<b>RED</b>
EPD	<b>S-P-07806</b>

### Sustainability

EPD module A1 (kg CO2 eq.)	<b>6,25</b>
EPD module A2 (kg CO2 eq.)	<b>0,29</b>
EPD module A3 (kg CO2 eq.)	<b>4,41</b>
EPD module A1-A3 (kg CO2 eq.)	<b>10,95</b>
EPD module A4 (kg CO2 eq.)	<b>0,27</b>
EPD module B7 (kg CO2 eq.)	<b>85680,00</b>
EPD module C2 (kg CO2 eq.)	<b>0,01</b>
EPD module C3 (kg CO2 eq.)	<b>0,02</b>
EPD module C4 (kg CO2 eq.)	<b>1,39</b>
EPD module D (kg CO2 eq.)	<b>-5,69</b>



## Spare parts



### SP09440172

	Name	Code
01	Membrane housing	59914231
02	Pilot valve, 6 V	59914232
03	Sensor, 6/9/12 V Bluetooth	1002253V
03	Sensor, 6 V, (-2020)	59914233
04	Battery, 2CR5 6 V	59911670
05	Battery casing	59914154
06	Cap	59914234
07	Passing-through part	59914235
08	Flush pipe, 09440183	59914401
08	Flush pipe, 09440172	59914236