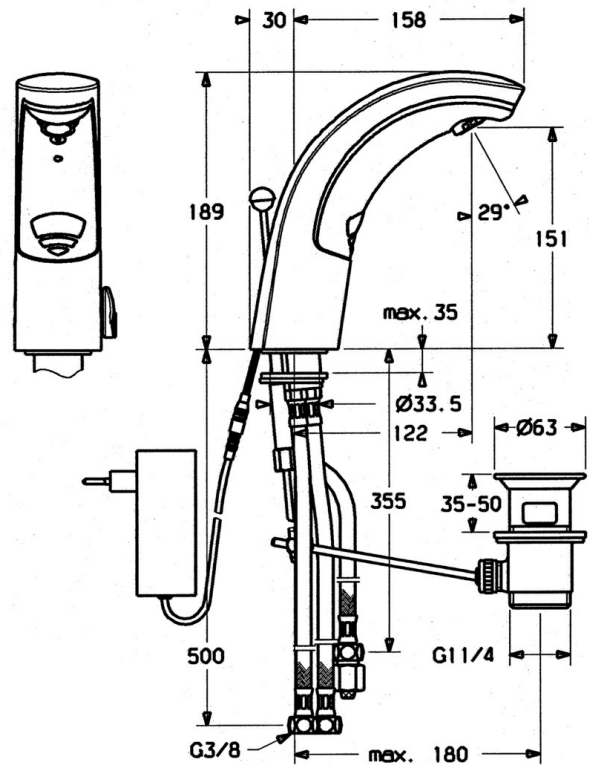
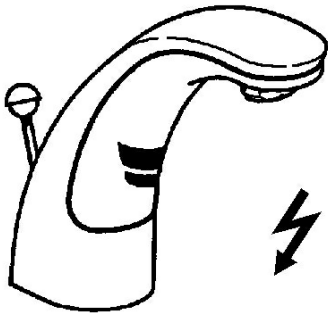


EAN: 4015474540217  
[static.hansa.com/09421100](http://static.hansa.com/09421100)



- Public & Semi-public
- Low pressure, Touchless
- Deck mounted
- Chrome
- Fixed spout
- Pop-up waste with draw-rod
- Temperature preset fixable, Limitation option for maximum temperature and flow-rate
- Litter filter(s), Non-return valve(s)
- Solenoid valve, Infrared sensor
- Flexible inlet pipes
- Software settings adjustable via buttons



## Technical data

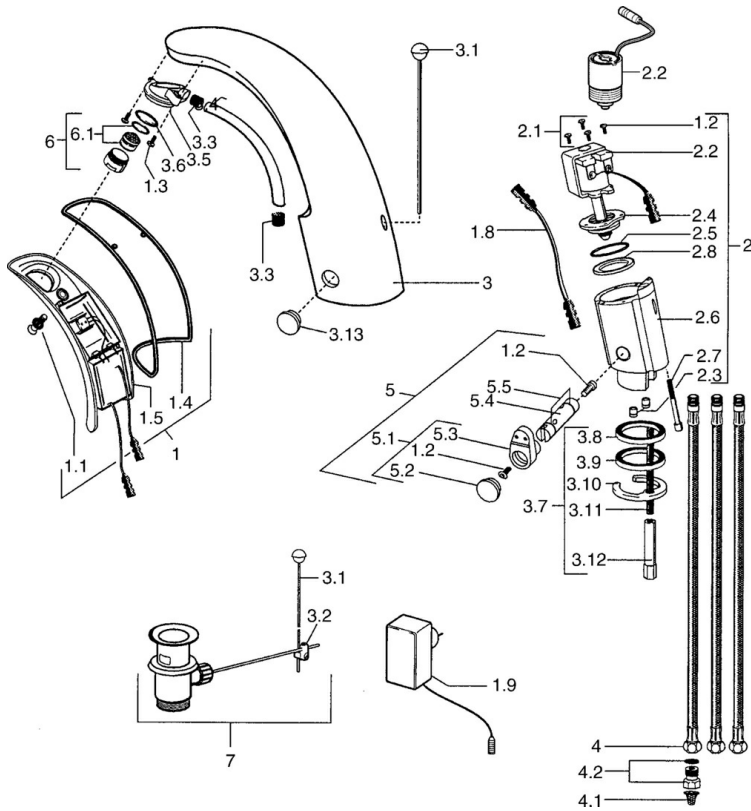
### Technical properties

DN-size (nominal dimension)	<b>DN15</b>
Hot water supply	<b>max. +70°C</b>
Working pressure	<b>0.5-5 bar</b>
Connection size	<b>G3/8</b>
Length / Height	<b>122 mm</b>
Backflow prevention (EN1717)	<b>EB</b>

### Regulations

EN standard	<b>EN 15091</b>
Protection class	<b>IP 55</b>

## Spare parts



### SP09421100

Name	Code	
1	Electronics, 230 V	59911666
1.1	Screw Discontinued	59911667
1.2	Screw	59911668
1.3	Fixing bolt, M4 Discontinued	59910234
1.4	Form sealing Discontinued	59911669
1.8	Connection cable	59910770
1.9	Power supply	59912786
2	Valve Discontinued	59911673
2.2	Membrane for solenoid valve Discontinued	59912239
2.2	Solenoid valve	59912240
2.3	Non-return valve	59911674
2.7	Screw, M5x60 Discontinued	59911675
3	Housing Discontinued	59911676
3.1	Pop-up operating rod	59906423
3.2	Swivel joint	59904624
3.3	Sleeving	59911678
3.5	Holder	59911679
3.7	Fixing set	59911680
3.13	Fixing part Discontinued	59911681
4	Hose	59911683
4.1	Litter filter	59911684
4.2	Flow limiter	59911685
5	Valve	59911687
5.1	Lever	59911688
5.2	Covering cap Discontinued	59911689
6	Aerator, M24x1 A, low pressure	59902692
6.1	Aerator, M22/24, ND	59901553
7	Pop-up waste	59904620