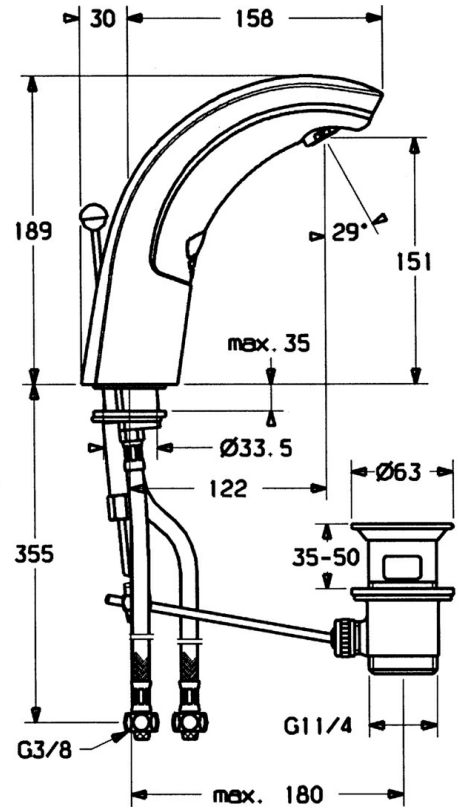
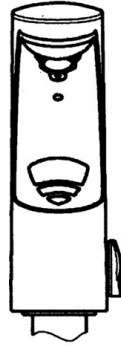
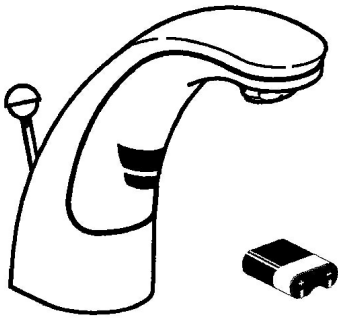


EAN: 4015474540149
static.hansa.com/09402110



- Washbasin
- Battery-operated, Touchless
- Deck mounted
- Chrome
- Fixed spout
- Standard aerator
- Pop-up waste with draw-rod
- Temperature preset fixable, Limitation option for maximum temperature and flow-rate
- Litter filter(s), Non-return valve(s)
- Autofocus infrared sensor, Solenoid valve, Low battery indicator
- Software settings adjustable via buttons



Technical data

Technical properties

DN-size (nominal dimension)	DN15
Hot water supply	max. +70°C
Working pressure	0.5-10 bar
Connection size	G3/8
Length / Height	122 mm
Backflow prevention (EN1717)	EB

Electronic properties

Battery	Lithium 2CR5 6 V
---------	-------------------------

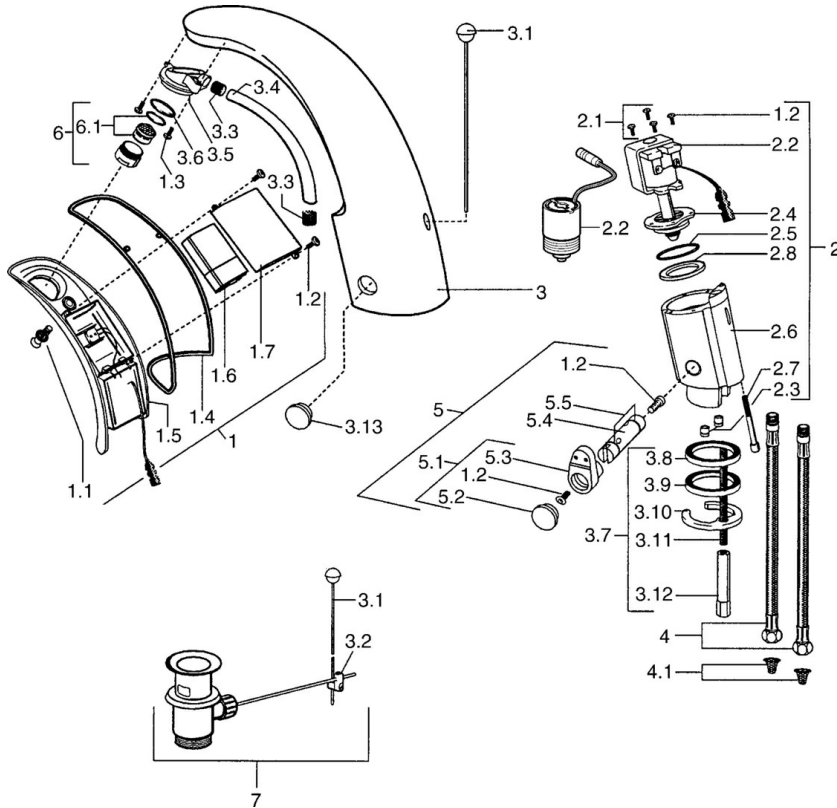
Regulations

EN standard	EN 15091
Protection class	IP 55

Approvals and Declarations

UN38.3	UN38-3 Maxell 2CR5
--------	---------------------------

Spare parts



SP09402110

	Name	Code
1	Electronics, 6 V Discontinued	59911664
1.1	Screw Discontinued	59911667
1.2	Screw	59911668
1.3	Fixing bolt, M4 Discontinued	59910234
1.4	Form sealing Discontinued	59911669
1.6	Battery, 2CR5 6 V	59911670
2.2	Membrane for solenoid valve Discontinued	59912239
2.2	Solenoid valve	59912240
2.3	Non-return valve	59911674
2.7	Screw, M5x60 Discontinued	59911675
3	Housing Discontinued	59911676
3.1	Pop-up operating rod	59906423
3.2	Swivel joint	59904624
3.3	Sleeving	59911678
3.5	Holder	59911679
3.7	Fixing set	59911680
3.13	Fixing part Discontinued	59911681
4	Hose, M12x1, G3/8, L=400	59911682
4.1	Litter filter	59911684
5	Temperature regulator	59912789
5.1	Lever	59911688
5.2	Covering cap Discontinued	59911689
6	Aerator, M24x1 Z	59906826
6.1	Aerator, M22/24, Z	59906830
7	Pop-up waste	59904620
N.I.	Flexible pipe, G3/8x10 (2008-)	59912447