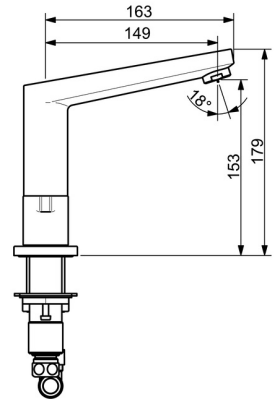
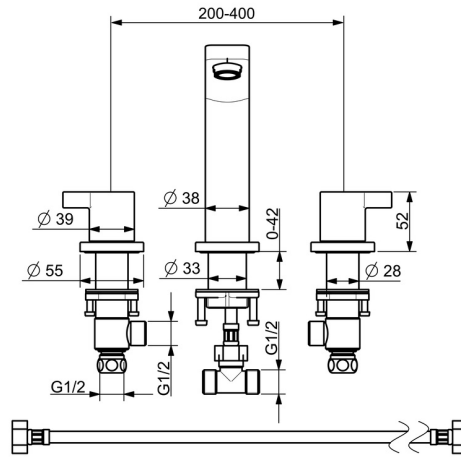
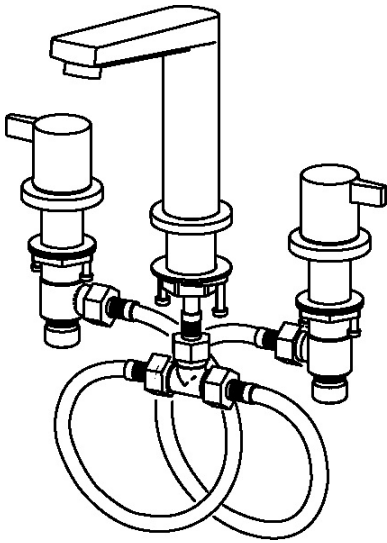


EAN: 4057304002717
static.hansa.com/09372001



- Bathtub & Shower
- Two-grip
- Rim mounted
- Chrome
- Fixed spout
- Hidden aerator
- Two operating levers/handles
- Ceramic head part for flow control
- Inner body made of DZR brass



Technical data

Flow properties

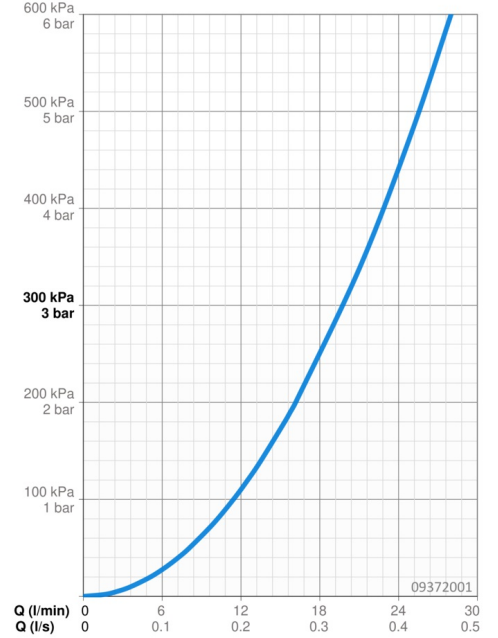
Flow-rate at 3 bar **19.8 l/min**

Technical properties

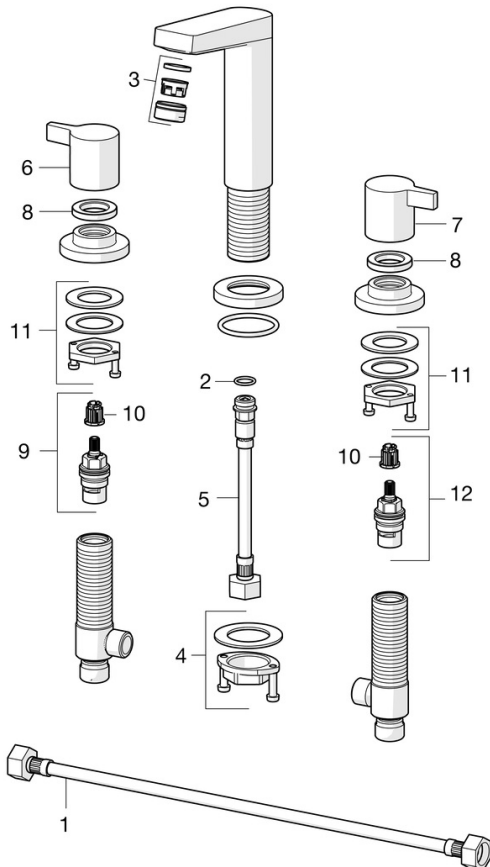
DN-size (nominal dimension) **DN15**
 Hot water supply **max. +80°C**
 Working pressure **0.5-10 bar**
 Projection **149 mm**

Regulations

EN standard **EN 200**



Spare parts



SP09372001

	Name	Code
01	Flexible pipe, L=600, G1/2xG1/2 Discontinued	59914408
02	O-ring, 13X2 Discontinued	59914405
03	Aerator, M24x1 C	59913401
04	Fixing set	59913371
05	Flexible pipe, L=160, G1/2-M10x1 Discontinued	59914407
06	Handle Discontinued	59914402
07	Handle Discontinued	59914414
08	Tightening nut, d35.5xM24x1	59912023
09	Headpart, G1/2, SW17	59913224
10	Adapter White	59910235
11	Fixing set Discontinued	59914403
12	Headpart, G1/2	59913457