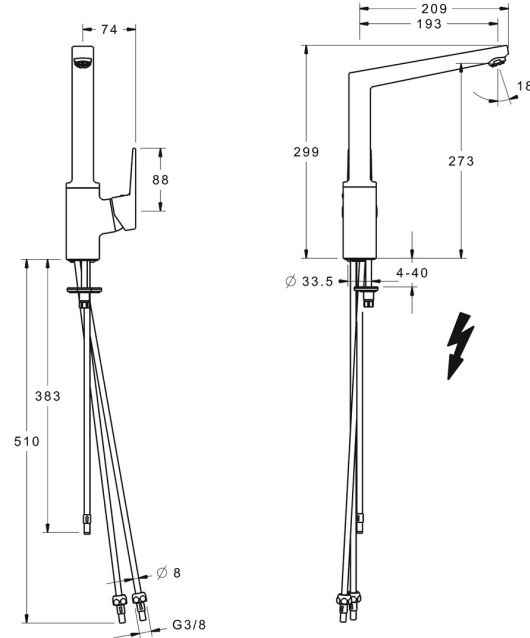
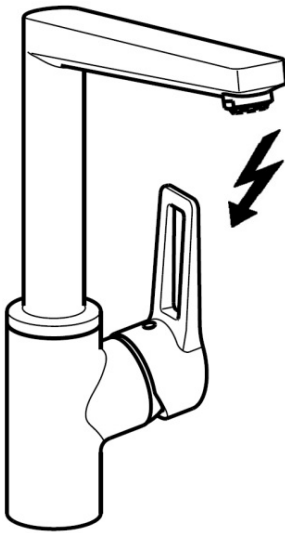


EAN: 4015474274877  
[static.hansa.com/09221105](http://static.hansa.com/09221105)



- Kitchen
  - Single-lever, side operated, Low pressure
  - Deck mounted
  - Chrome
  - Swivel spout, Casted construction
  - Laminar stream, Standard aerator
- Single operating lever/handle, Loop shape, Hot/Cold symbols
  - Limitation option for maximum temperature and flow-rate, Adjustable hot water stop (included, retrofittable)
  - $\varnothing$  35 mm ceramic cartridge for flow and temperature control
  - Copper inlet pipes
  - Surfaces in contact with drinking water contain less than 0.3% lead, Inner body made of DZR brass, Waterways without nickel coating, Rapid installation system



## Technical data

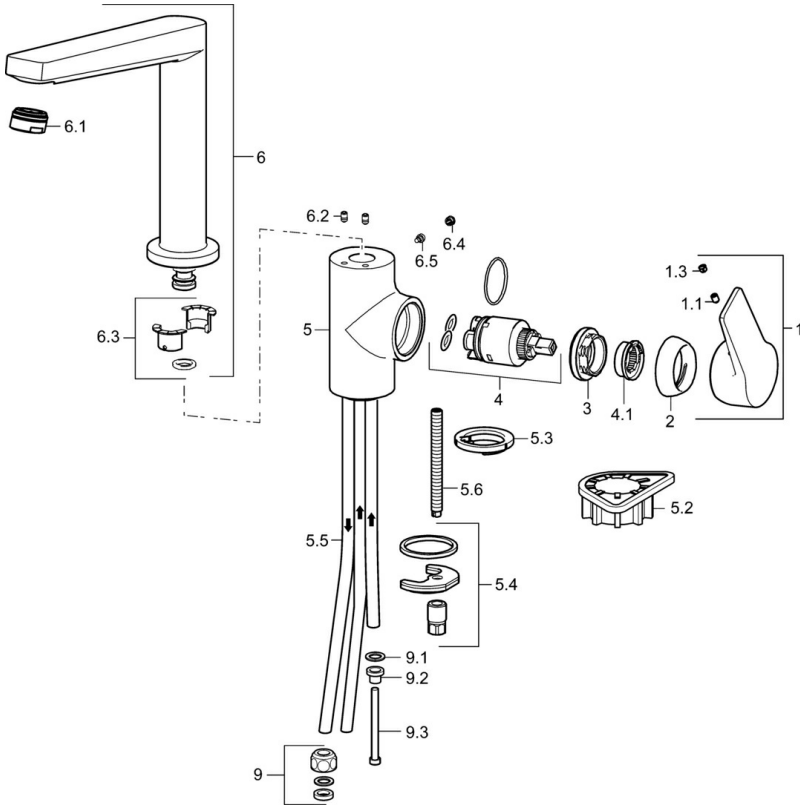
### Technical properties

DN-size (nominal dimension)	<b>DN15</b>
Hot water supply	<b>max. +90°C</b>
Working pressure	<b>0.5-5 bar</b>
Connection size	<b>G3/8</b>
Projection	<b>193 mm</b>
Backflow prevention (EN1717)	<b>AA</b>
Material	<b>Brass</b>

### Regulations

EN standard	<b>EN 817</b>
-------------	---------------

## Spare parts



### SP09221103

	Name	Code
1	Lever	59914199
1	Lever	59914200
1.1	Screw, M5x8, SW2.5	59904755
1.3	Symbol plug Grey	59912112
2	Covering cap, 33x3 mm	59912504
3	Tightening nut, M40x1	1003409V
4	Cartridge, 3.5 Classic	59913075
4.1	Temperature adjustment limiter	59912325
5.2	Supporting plate	59910008
5.3	Bottom seal	59914591
5.4	Fixing set	59910749
5.5	Pipe, M8x1, L=560	59912806
5.6	Fixing screw, M8x1, L=140	59912474
6	Spout	59914204
6.1	Aerator, M24x1 A, low pressure	59902692
6.2	Fixing screw, M4x8	59913989
6.3	Sealing kit	59911884
6.4	Cover plug	59911840
6.5	Screw, M4x7	59902075
9	Fitting nut	59904969
9.1	Sealing kit, 14.9x8.5x1	59902352
9.2	Sealing kit, 10x8	59902272
9.3	Hose	59902151