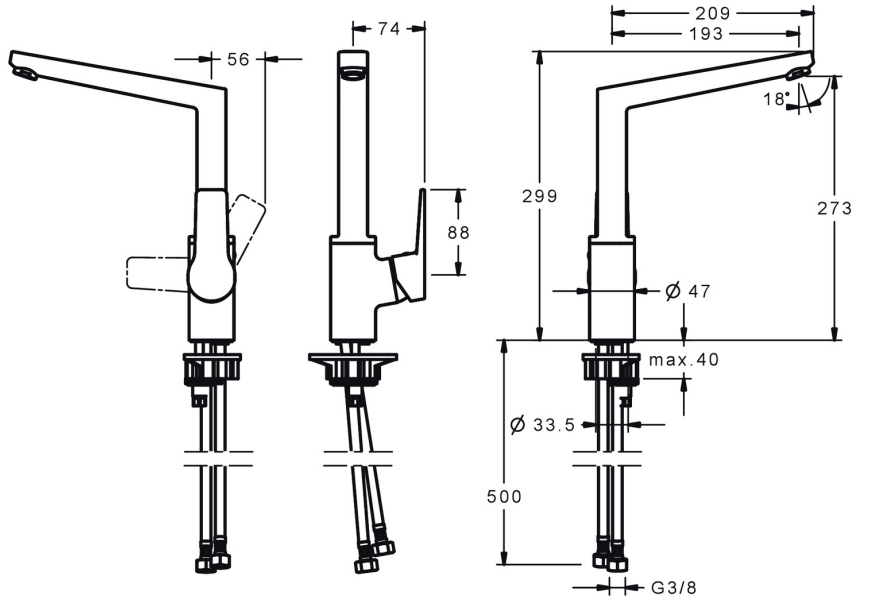
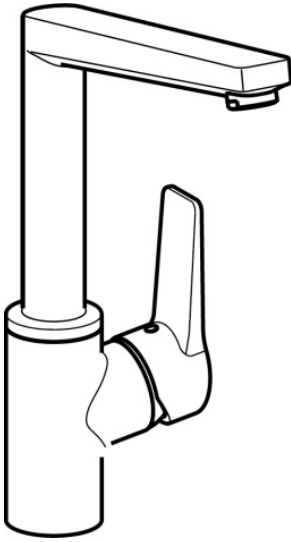


EAN: 4057304014390  
[static.hansa.com/0920220333](http://static.hansa.com/0920220333)



- Kitchen
- Single-lever, side operated
- Deck mounted
- Matt black
- Swivel spout, Casted construction
- Standard aerator
- Hot/Cold symbols, Single operating lever/handle
- Limitation option for maximum temperature and flow-rate, Adjustable hot water stop (included, retrofittable)
- $\varnothing$  35 mm ceramic cartridge for flow and temperature control
- Flexible inlet pipes
- Inner body made of DZR brass, Surfaces in contact with drinking water contain less than 0.3% lead, Waterways without nickel coating



## Technical data

### Flow properties

Flow-rate at 3 bar	<b>12.0 l/min</b>
Pressure loss with flow (0.2 l/s)	<b>3 bar</b>

### Technical properties

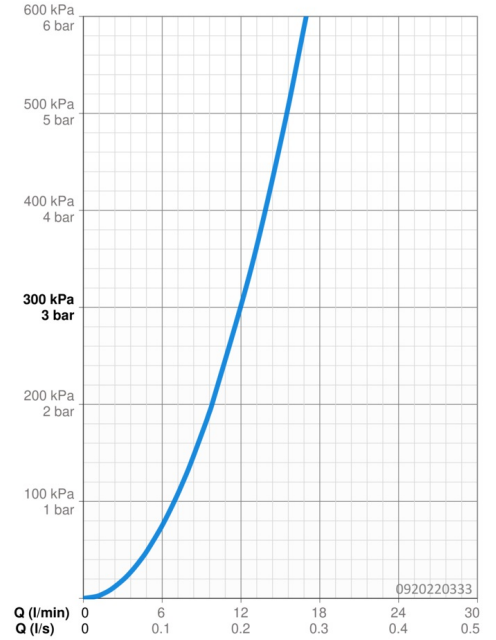
DN-size (nominal dimension)	<b>DN15</b>
Hot water supply	<b>max. +80°C</b>
Working pressure	<b>0.5-10 bar</b>
Connection size	<b>G3/8</b>
Projection	<b>193 mm</b>
Backflow prevention (EN1717)	<b>AA</b>
Material	<b>Brass</b>

### Regulations

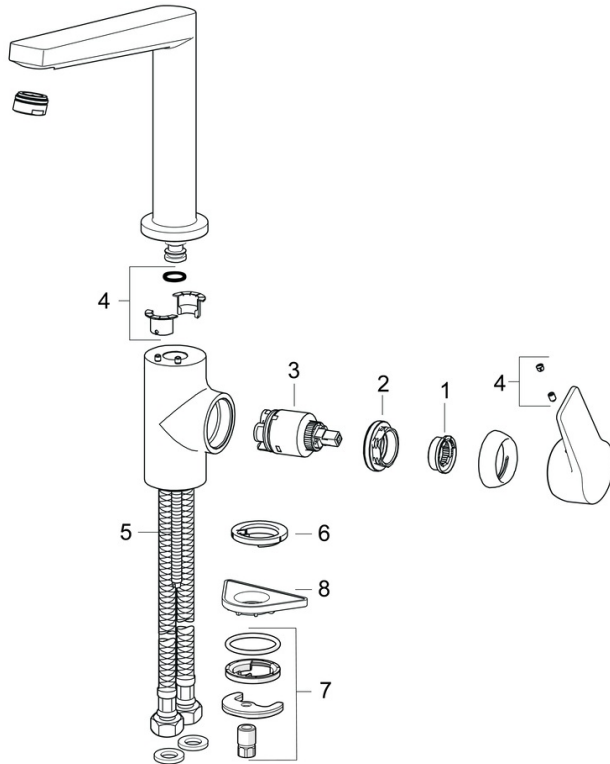
EN standard	<b>EN 817</b>
Noise class	<b>I (ISO 3822)</b>

### Approvals and Declarations

DVGW	<b>NW-6506CQ0410</b>
ABP	<b>P-IX 38406/IZ</b>
Declaration of conformity	<b>DoC</b>



## Spare parts



### SP0920220333

	Name	Code
01	Temperature adjustment limiter	59912325
02	Tightening nut, M40x1	1003409V
03	Cartridge, 3.5 Classic	59913075
04	Sealing kit	59911884
05	Fixing screw, M8x1, L=140	59912474
06	Bottom seal	59914591
07	Fixing set	59910749
08	Supporting plate	59910008