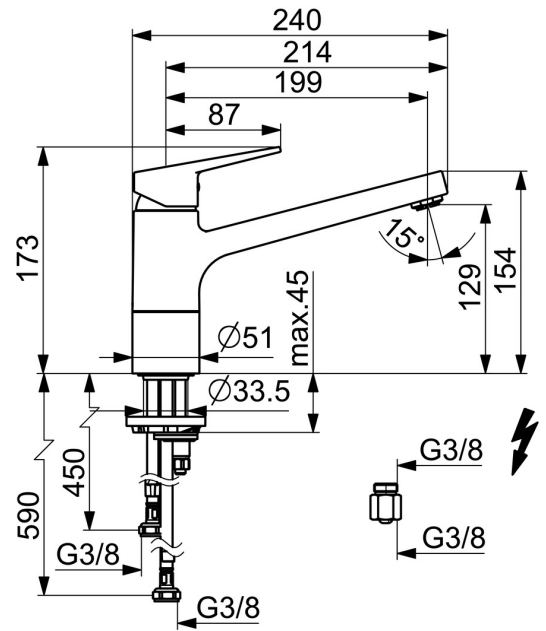
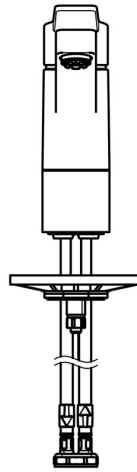
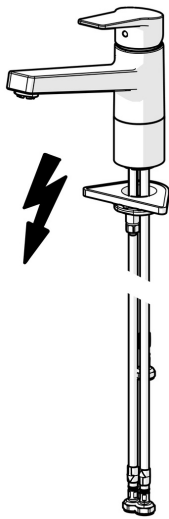


EAN: 4015474261143  
[static.hansa.com/09121183](http://static.hansa.com/09121183)



- Kitchen
- Single-lever, Low pressure
- Deck mounted
- Chrome
- Swivel spout
- Laminar stream, Standard aerator
- Hot/Cold symbols, Single operating lever/handle
- Limitation option for maximum temperature and flow-rate, Adjustable hot water stop (included, retrofittable)
- $\phi$  35 mm ceramic cartridge for flow and temperature control
- Copper inlet pipes
- Surfaces in contact with drinking water contain less than 0.3% lead, Inner body made of DZR brass, Waterways without nickel coating, Rapid installation system



## Technical data

### Flow properties

Flow-rate at 3 bar **7.2 l/min**

### Technical properties

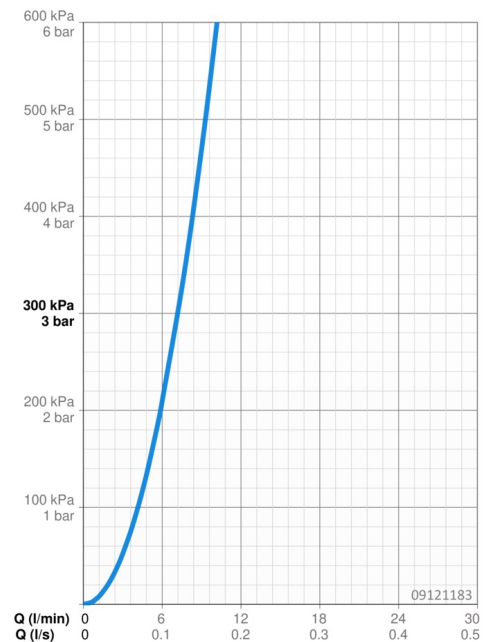
DN-size (nominal dimension) **DN15**  
 Hot water supply **max. +80°C**  
 Working pressure **0.5-5 bar**  
 Connection size **G3/8**  
 Projection **199 mm**  
 Backflow prevention (EN1717) **AA**  
 Material **Brass**

### Regulations

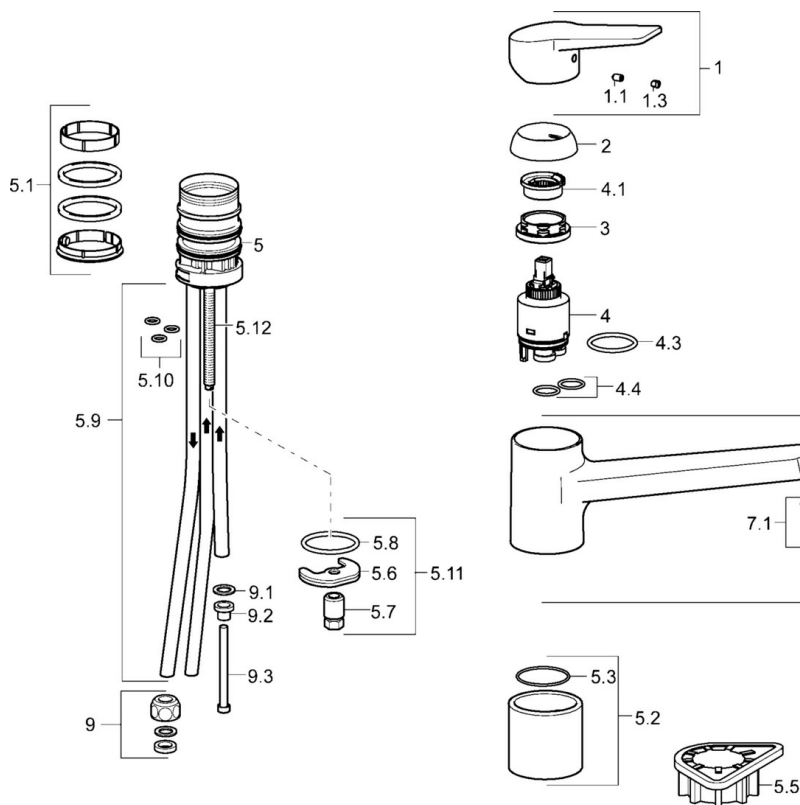
EN standard **EN 817**  
 Noise class **I (ISO 3822)**

### Approvals and Declarations

Declaration of conformity **DoC**

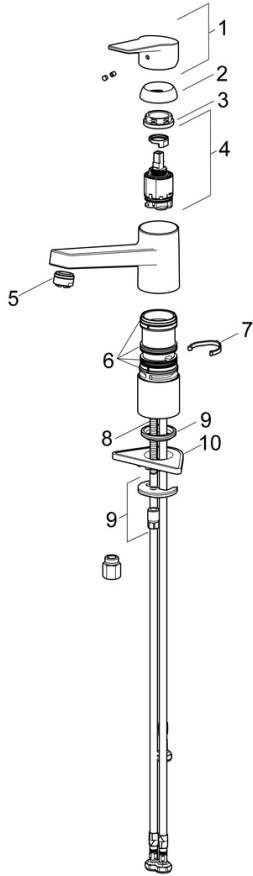


## Spare parts



### SP09121183

|      | Name                                     | Code     |
|------|--|----------|
| 1    | Lever                                    | 59913910 |
| 1    | Lever                                    | 59913911 |
| 1.1  | Screw, M5x8, SW2.5                       | 59904755 |
| 1.3  | Symbol plug Grey                         | 59912112 |
| 2    | Covering cap, 33x3 mm                    | 59912504 |
| 3    | Tightening nut, M37x1, AF30 Discontinued | 59912111 |
| 4    | Cartridge, 3.5 Eco                       | 59912324 |
| 4    | Cartridge, 3.5 Classic                   | 59913075 |
| 4.1  | Temperature adjustment limiter           | 59912325 |
| 4.3  | O-ring, d 28.24x2.62 Discontinued        | 59912590 |
| 4.4  | O-ring, d 10.10x1.60 Discontinued        | 59905072 |
| 6    | 5.1 Sealing kit                          | 1001264V |
| 5.1  | Sealing kit Discontinued                 | 59913968 |
| 5.2  | Raising socket Discontinued              | 59913980 |
| 5.3  | O-ring, d 34x1.5                         | 59913975 |
| 5.5  | Supporting plate                         | 59910008 |
| 5.6  | Fixing plate                             | 59904765 |
| 5.7  | Screw, M8x1, SW13                        | 59904766 |
| 5.8  | O-ring, d 36.09x d 3.53                  | 59913396 |
| 5.9  | Pipe, M8x1, L=560                        | 59912806 |
| 5.10 | O-ring, 6x1.4                            | 59913266 |
| 5.11 | Fixing set                               | 59910749 |
| 5.12 | Fixing screw, M8x1, L=140                | 59912474 |
| 6    | Spout Discontinued                       | 59913978 |
| 7    | Aerator, M24x1 A, low pressure           | 59902692 |
| 7.1  | Aerator, M22/24, ND                      | 59901553 |
| 9    | Fitting nut                              | 59904969 |
| 9.1  | Sealing kit, 14.9x8.5x1                  | 59902352 |
| 9.2  | Sealing kit, 10x8                        | 59902272 |
| 9.3  | Hose                                     | 59902151 |
| N.I. | Key, SW30/34                             | 59912108 |
| N.I. | Washer set Discontinued                  | 59914043 |



### SP09121183(2020)

|    | Name                            | Code     |
|----|---------------------------------|----------|
| 01 | Lever                           | 59913910 |
| 01 | Lever                           | 59913911 |
| 02 | Covering cap, 33x3 mm           | 59912504 |
| 03 | Tightening nut, M37x1, SW30     | 1005680V |
| 04 | Cartridge, 3.5 Classic          | 59913075 |
| 05 | Aerator, M24x1 A, low pressure  | 59902692 |
| 06 | Sealing kit                     | 1001264V |
| 07 | Spout overturning stopper, 120° | 59914489 |
| 08 | Fixing screw, M8x1, L=140       | 59912474 |
| 09 | Fixing set                      | 59910749 |
| 10 | Supporting plate                | 59910008 |