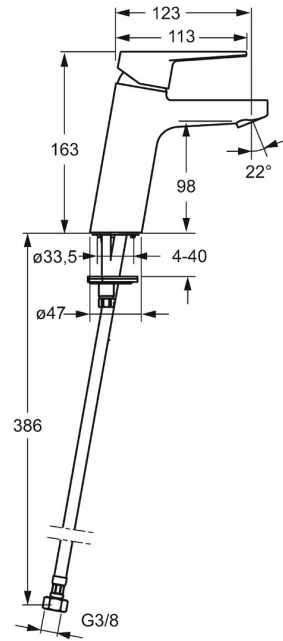
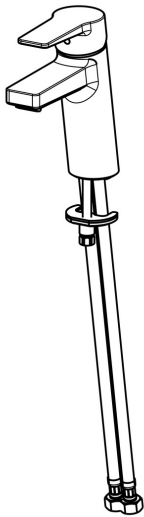


EAN: 4057304014338  
[static.hansa.com/090228333](https://static.hansa.com/090228333)



- Washbasin
- Single-lever
- Deck mounted
- Matt black
- Fixed spout
- PCA® - constant flow rate regardless of pressure variations
- Hot/Cold symbols, Single operating lever/handle
- Limitation option for maximum temperature and flow-rate, Adjustable hot water stop (included, retrofittable)
- ø 35 mm ceramic cartridge for flow and temperature control
- Flexible inlet pipes
- Inner body made of DZR brass, Rapid installation system
- Without pop-up waste, Without draw-rod opening



## Technical data

### Flow properties

|   |                  |
|---|------------------|
| Flow-rate at 3 bar (with flow controller) | <b>6.0 l/min</b> |
| Pressure loss with flow (0.1 l/s)         | <b>2 bar</b>     |

### Technical properties

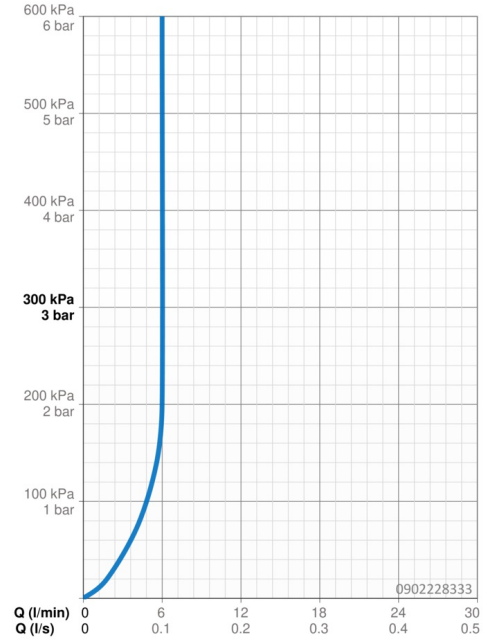
|                              |                   |
|------------------------------|-------------------|
| DN-size (nominal dimension)  | <b>DN15</b>       |
| Hot water supply             | <b>max. +70°C</b> |
| Working pressure             | <b>1-10 bar</b>   |
| Connection size              | <b>G3/8</b>       |
| Projection                   | <b>123 mm</b>     |
| Backflow prevention (EN1717) | <b>AA</b>         |
| Material                     | <b>Brass</b>      |

### Regulations

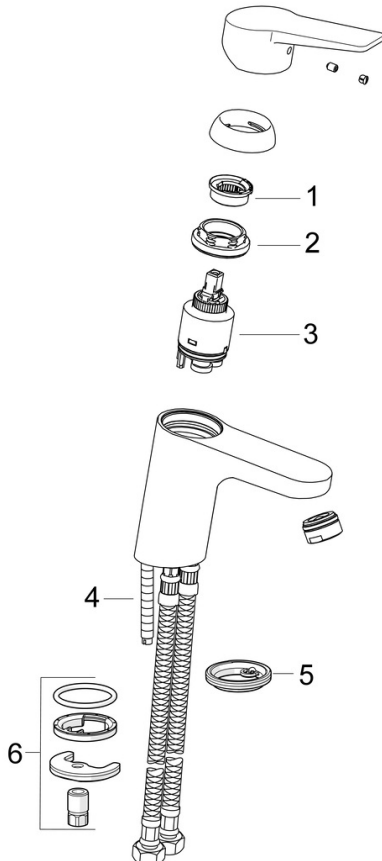
|             |                     |
|-------------|---------------------|
| EN standard | <b>EN 817</b>       |
| Noise class | <b>I (ISO 3822)</b> |

### Approvals and Declarations

|                           |                      |
|---------------------------|----------------------|
| KIWA                      | <b>K6116/08</b>      |
| DVGW                      | <b>NW-6506CQ0410</b> |
| ABP                       | <b>P-IX 38553/IA</b> |
| Declaration of conformity | <b>DoC</b>           |



## Spare parts



### SP0902228333

|    | Name                           | Code     |
|----|--------------------------------|----------|
| 01 | Temperature adjustment limiter | 59912325 |
| 02 | Tightening nut, M40x1          | 1003409V |
| 03 | Cartridge, 3.5 Classic         | 59913075 |
| 04 | Fixing screw, M8x1, L=140      | 59912474 |
| 05 | Bottom seal                    | 59914591 |
| 06 | Fixing set                     | 59910749 |