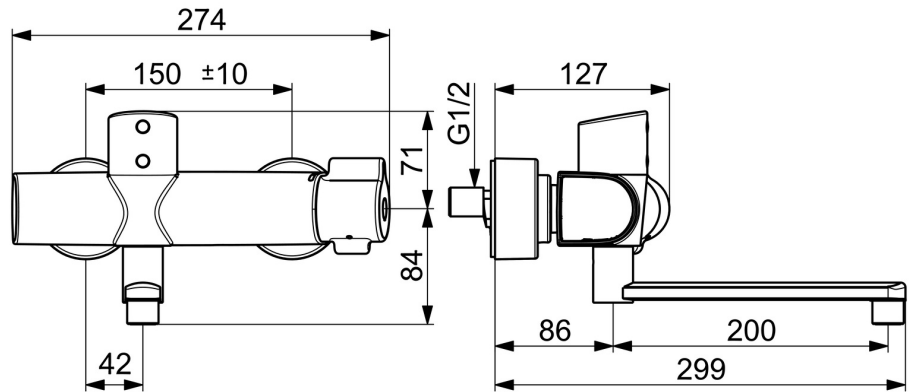
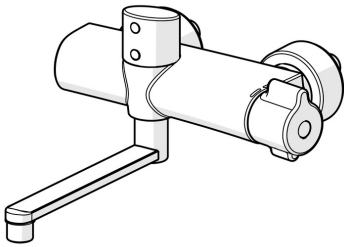


EAN: 4057304014444
static.hansa.com/08866202



- Health & Care
- Thermostatic, Touchless, Bluetooth®, Battery-operated
- Wall mounted
- Chrome
- Detachable spout, Swivel spout, Lockable in the middle position, Profile construction
- Laminar stream
- Temperature control handle
- The housing of the fittings conducts minimal heat
- Thermostatic cartridge for automatic temperature control, Non-return valve(s), Litter filter(s)
- Autofocus infrared sensor, Solenoid valve, Low battery indicator
- Eccentric coupling(s), Cover plate(s), with integrated shut-off valve(s), Silencer(s), Cover plate triple sealed
- Inner body made of DZR brass, Waterways without nickel coating, Thermal disinfection without cartridge readjustment, Software settings adjustable via App
- Safety lock against scalding 38°C (36°-44°)



Technical data

Flow properties

Flow-rate at 3 bar **9.6 l/min**

Technical properties

Hot water supply **max. +70°C**
 Working pressure **1-10 bar**
 Connection size **G1/2**
 Installation width **150 ± 10 mm**
 Projection **286 mm**
 Backflow prevention (EN1717) **AA**
 Material **Brass**

Software settings

Afterflow period **2 s (1-20 s)**
 Automatic flush **off (off/1-120 h)**
 Automatic flush period **30 s (1-1800 s)**
 Max. flow period **2 min (1 - 1800 s)**

Electronic properties

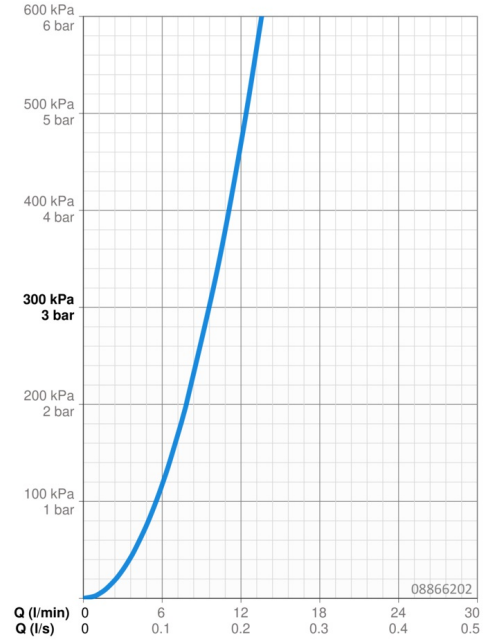
Battery **Lithium 2CR5 6 V**
 Bluetooth version **4.x (D034445)**

Regulations

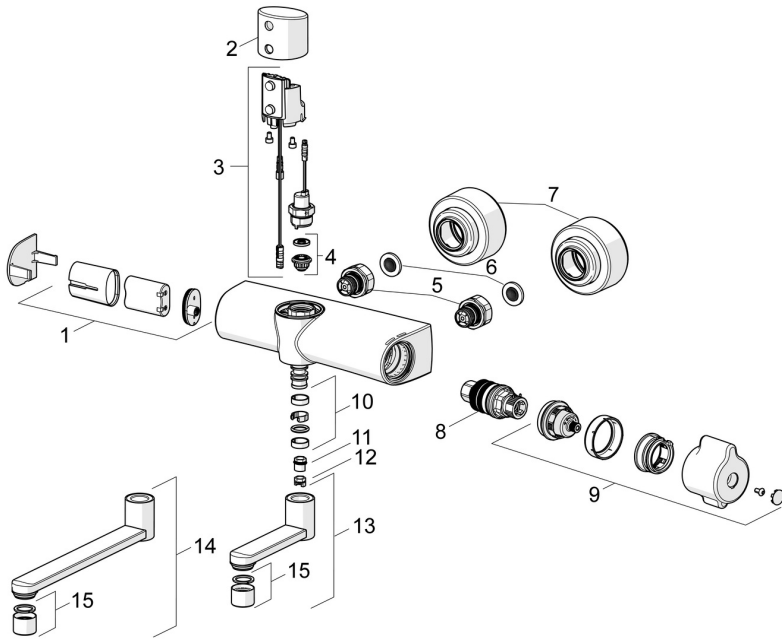
EU Directives **C € Radio Equipment Directive 2014/53/EU , Low Voltage Directive 2014/35/EU , EMC Directive 2014/30/EU , RoHS Directive 2011/65/EU**
 EN standard **EN 1111 , EN 15091, ETSI EN 301 489-1 V1.9.2 , ETSI EN 300 328 v2.2.2 , EN 61000-6-1:2007 , EN 61000-6-3:2007+A1:2011+AC:2012 , EN 60335-1:2012+A11+A13+A14+A14+A2+A15:2021, Part 19.11.4**
 Noise class **I (ISO 3822)**
 Protection class **IP 55**

Approvals and Declarations

DVGW **CW-6515DL0555**
 UN38.3 **UN38-3 Maxell 2CR5**
 Declaration of conformity **RED**



Spare parts



SP08866201

	Name	Code
01	Battery casing	59914154
02	Sensor holder	1006102V
03	Update kit	1017251V
04	Membrane for solenoid valve	1006500V
05	Combiner	59914472
06	Filter sealing, G3/4	59911076
07	Cover flange	1006473V
08	Thermostatic cartridge, 3.4	59914114
09	Temperature control handle	1006058V
10	Sealing kit for spout	59914720
11	Spout overturning stopper, 60°/0°	59914264
12	Limiter, 120°	59914728
13	Spout, L=100	59914658
14	Spout, L=200	59914659
15	Aerator, M22x1 STD PL HC A Laminar	1003610V