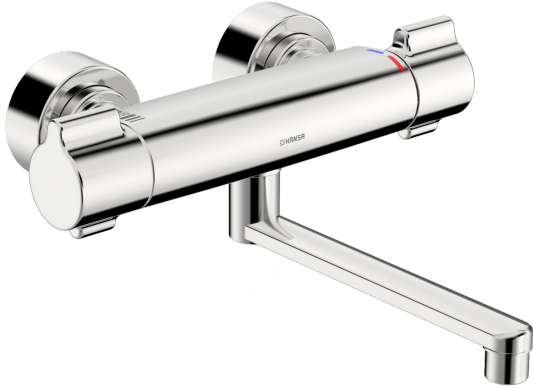
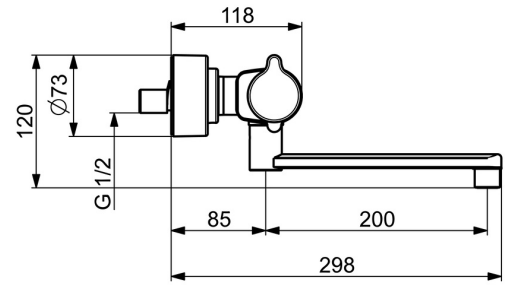
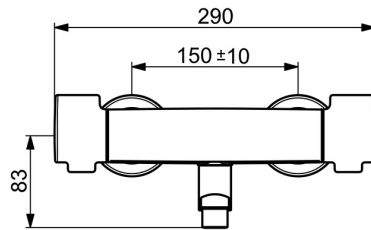
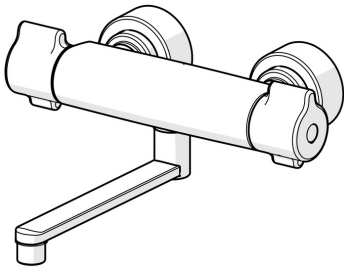


EAN: 4057304013416
static.hansa.com/08806202



- Health & Care
- Thermostatic
- Wall mounted
- Chrome
- Swivel spout, Lockable in the middle position, Swivel range limiting option, Profile construction
- Laminar stream
- Temperature control handle, Flow control handle, Eco feature for water flow
- The housing of the fittings conducts minimal heat
- Ceramic head part for flow control, Thermostatic cartridge for automatic temperature control, Non-return valve(s), Litter filter(s)
- Eccentric coupling(s), Cover plate(s), with integrated shut-off valve(s), Silencer(s), Cover plate triple sealed
- Inner body made of DZR brass, Waterways without nickel coating, Thermal disinfection without cartridge readjustment
- Safety lock against scalding 38°C (36°-44°)



Technical data

Flow properties

Flow-rate at 3 bar **11.4 l/min**

Technical properties

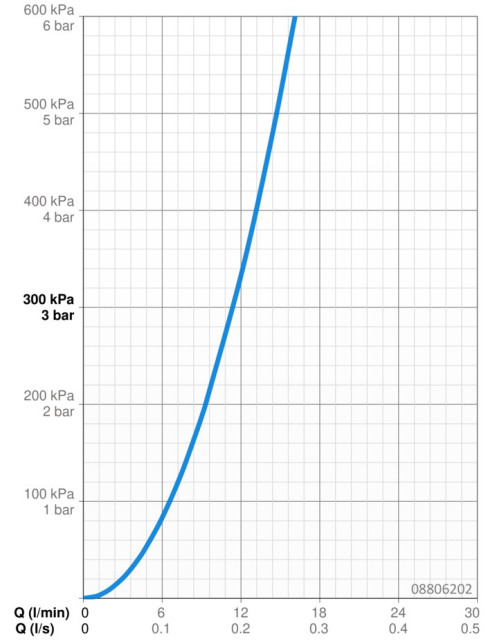
Hot water supply **max. +80°C**
 Working pressure **1-10 bar**
 Connection size **G1/2**
 Installation width **150 ± 10 mm**
 Projection **285 mm**
 Backflow prevention (EN1717) **AA**
 Material **Brass**

Regulations

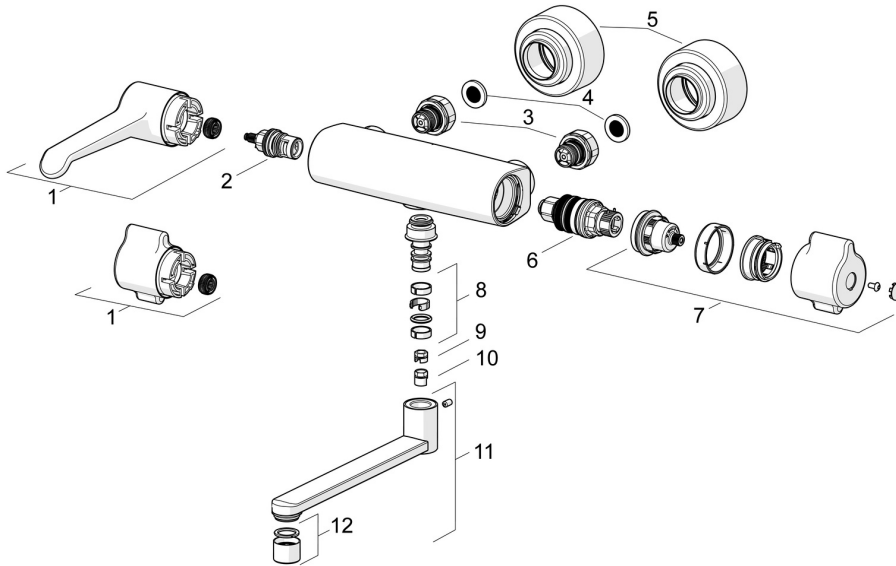
EN standard **EN 1111**
 Noise class **I (ISO 3822)**

Approvals and Declarations

DVGW **NW-6509CR0103**
 ABP **PA-IX 29960/IA**
 Declaration of conformity **DoC**



Spare parts



SP08806202

| | Name | Code |
|----|-------------------------------------|----------|
| 01 | Flow control handle, L=150 mm | 1004311V |
| 01 | Flow control handle | 1006423V |
| 02 | Headpart, G1/2 | 59914207 |
| 03 | Combiner | 59914472 |
| 04 | Filter sealing, G3/4 | 59911076 |
| 05 | Cover flange | 1006473V |
| 06 | Thermostatic cartridge, 3.4 | 59914114 |
| 07 | Temperature control handle | 1006058V |
| 08 | Sealing kit for spout | 59914720 |
| 09 | Limiter, 120° | 59914728 |
| 10 | Spout overturning stopper, 60° / 0° | 59914264 |
| 11 | Spout, L=200 | 59914659 |
| 12 | Aerator, M22x1 STD PL HC A Laminar | 1003610V |