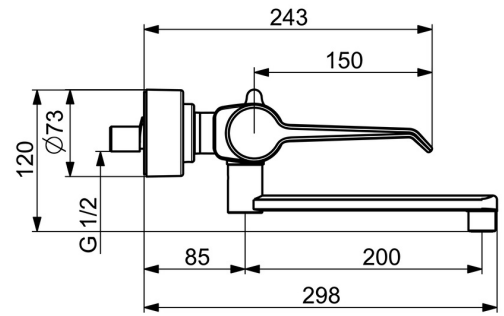
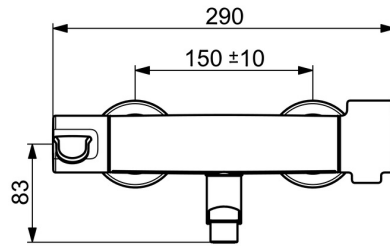
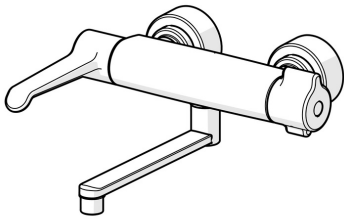


EAN: 4057304013409
static.hansa.com/08805202



- Health & Care
- Thermostatic
- Wall mounted
- Chrome
- Swivel spout, Lockable in the middle position, Swivel range limiting option, Profile construction
- Laminar stream
- Temperature control handle, Flow control handle, Long shape, Eco feature for water flow
- The housing of the fittings conducts minimal heat
- Ceramic head part for flow control, Thermostatic cartridge for automatic temperature control, Non-return valve(s), Litter filter(s)
- Eccentric coupling(s), Cover plate(s), with integrated shut-off valve(s), Silencer(s), Cover plate triple sealed
- Inner body made of DZR brass, Waterways without nickel coating, Thermal disinfection without cartridge readjustment
- Safety lock against scalding 38°C (36°-44°)



Technical data

Flow properties

Flow-rate at 3 bar **11.4 l/min**

Technical properties

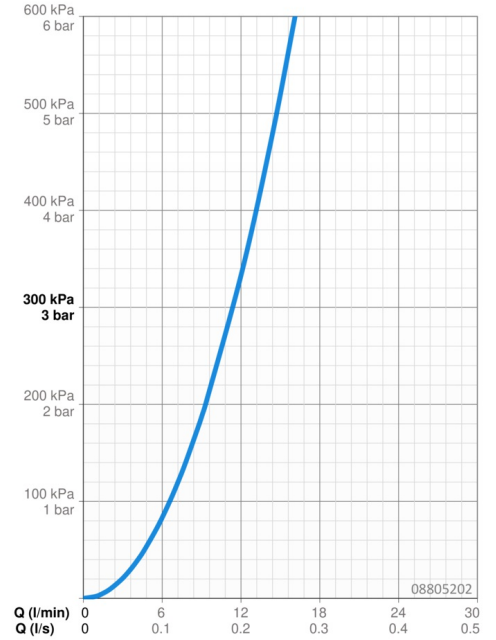
Hot water supply **max. +80°C**
 Working pressure **1-10 bar**
 Connection size **G1/2**
 Installation width **150 ± 10 mm**
 Projection **285 mm**
 Backflow prevention (EN1717) **AA**
 Material **Brass**

Regulations

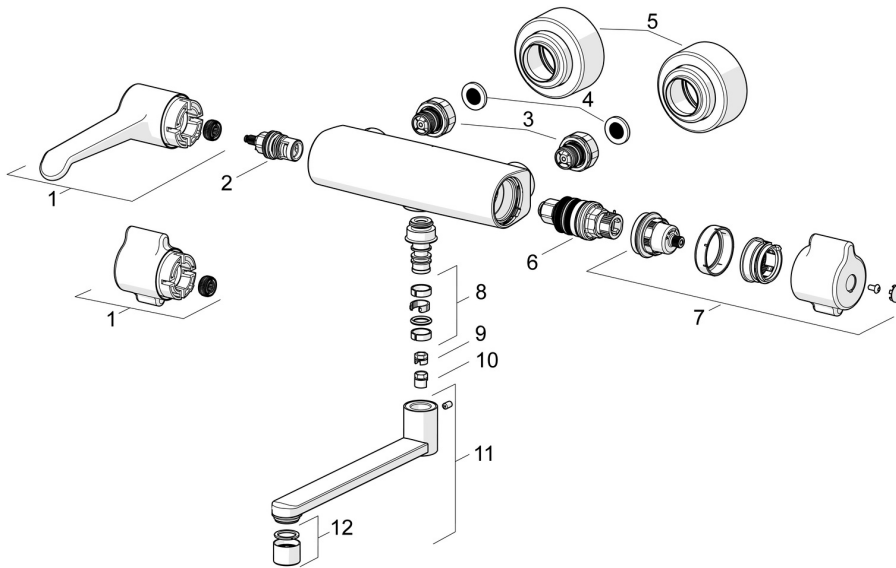
EN standard **EN 1111**
 Noise class **I (ISO 3822)**

Approvals and Declarations

DVGW **NW-6509CR0103**
 ABP **PA-IX 29960/IA**
 Declaration of conformity **DoC**



Spare parts



SP08806202

	Name	Code
01	Flow control handle, L=150 mm	1004311V
01	Flow control handle	1006423V
02	Headpart, G1/2	59914207
03	Combiner	59914472
04	Filter sealing, G3/4	59911076
05	Cover flange	1006473V
06	Thermostatic cartridge, 3.4	59914114
07	Temperature control handle	1006058V
08	Sealing kit for spout	59914720
09	Limiter, 120°	59914728
10	Spout overturning stopper, 60° / 0°	59914264
11	Spout, L=200	59914659
12	Aerator, M22x1 STD PL HC A Laminar	1003610V