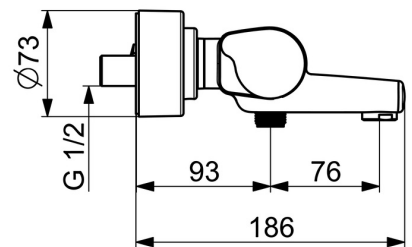
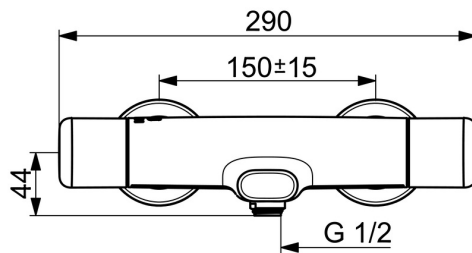
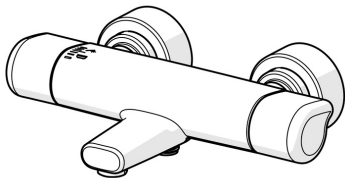


EAN: 4057304013454  
[static.hansa.com/08717100](http://static.hansa.com/08717100)



- Bathtub & Shower
- Health & Care
- Thermostatic
- Wall mounted
- Chrome
- Fixed spout
- Standard aerator
- Temperature control handle, Flow control handle, Eco feature for water flow
- Turn operated diverter, Integrated into flow control handle
- Adjustable hot water stop (included, retrofittable), Safety stop against scalding at 38°C, The housing of the fittings conducts minimal heat
- Ceramic head part for flow control, Thermostatic cartridge for automatic temperature control, Non-return valve(s), Litter filter(s)
- Eccentric coupling(s), Cover plate(s), Cover plate triple sealed
- Inner body made of DZR brass
- Retrofit safety lock 02000710 against scalding, can be ordered optionally. Limiter adjustable between 38°-42°C during mounting.



## Technical data

### Flow properties

Flow-rate at 3 bar **24.2 / 15.0 l/min**

### Technical properties

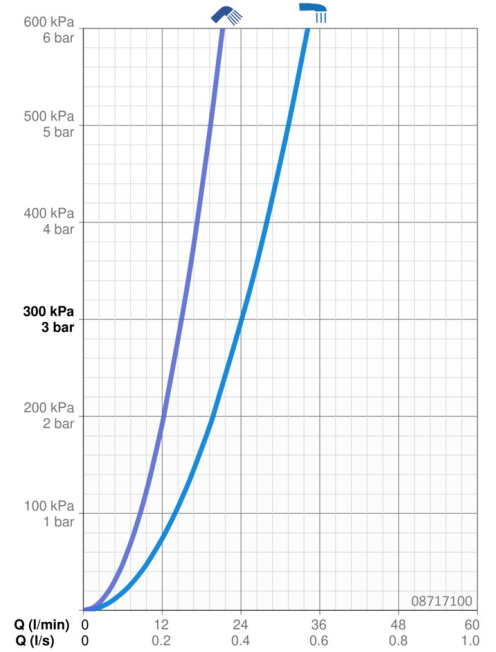
Hot water supply **max. +80°C**  
 Working pressure **1-10 bar**  
 Connection size **G1/2**  
 Installation width **150 ± 15 mm**  
 Projection **168 mm**  
 Backflow prevention (EN1717) **EB**  
 Material **Brass**

### Regulations

EN standard **EN 1111**  
 Noise class **II (ISO 3822)**

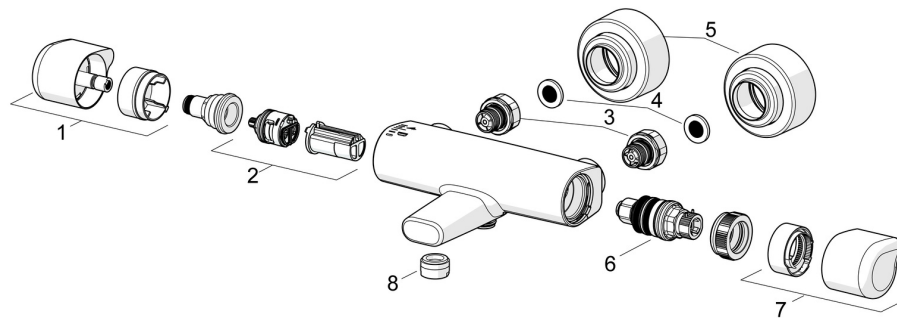
### Approvals and Declarations

DVGW **NW-6509CR0103**  
 ABP **PA-IX 29961/II0B**  
 Declaration of conformity **DoC**  
 EPD **S-P-06397**



## Spare parts

### SP08717100



	Name	Code
01	Flow control handle	1006584V
02	Diverter and cartridge	59914116
03	Combiner	59914472
04	Filter sealing, G3/4	59911076
05	Cover flange	1006473V
06	Thermostatic cartridge, 3.4	59914114
07	Temperature control handle	1005875V
08	Aerator, M24x1 A, low pressure	59902692