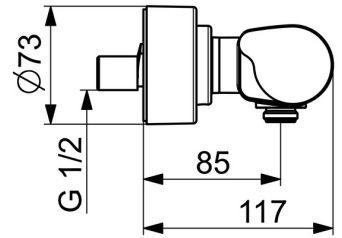
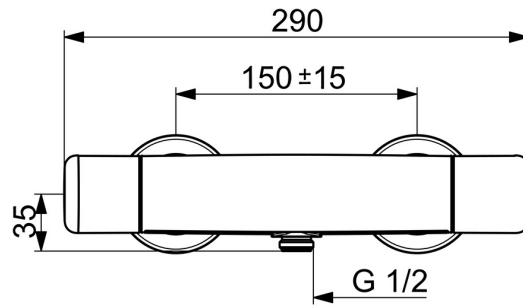
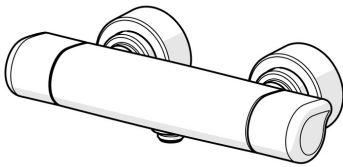


EAN: 4057304013447
static.hansa.com/08707100



- Shower solutions
- Health & Care
- Thermostatic
- Wall mounted
- Chrome
- Temperature control handle, Flow control handle, Eco feature for water flow
- Adjustable hot water stop (included, retrofittable), Safety stop against scalding at 38°C, The housing of the fittings conducts minimal heat
- Ceramic head part for flow control, Thermostatic cartridge for automatic temperature control, Non-return valve(s), Litter filter(s)
- Eccentric coupling(s), Cover plate(s), Cover plate triple sealed
- Inner body made of DZR brass
- Retrofit safety lock 02000710 against scalding, can be ordered optionally. Limiter adjustable between 38°-42°C during mounting.



Technical data

Flow properties

Flow-rate at 3 bar **15.6 l/min**

Technical properties

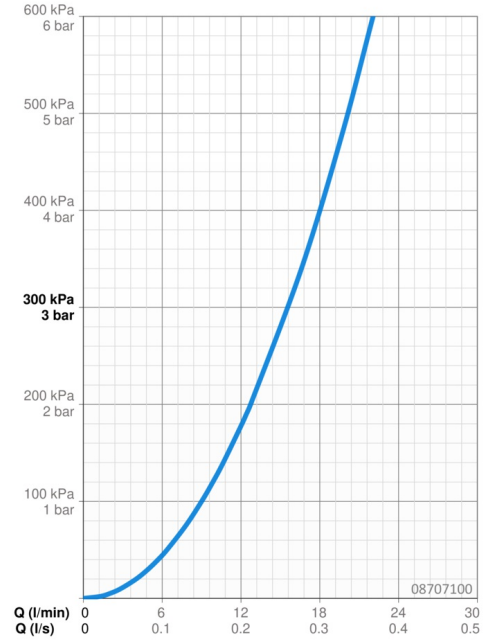
Hot water supply **max. +80°C**
 Working pressure **1-10 bar**
 Connection size **G1/2**
 Installation width **150 ± 10 mm**
 Backflow prevention (EN1717) **EB**
 Material **Brass**

Regulations

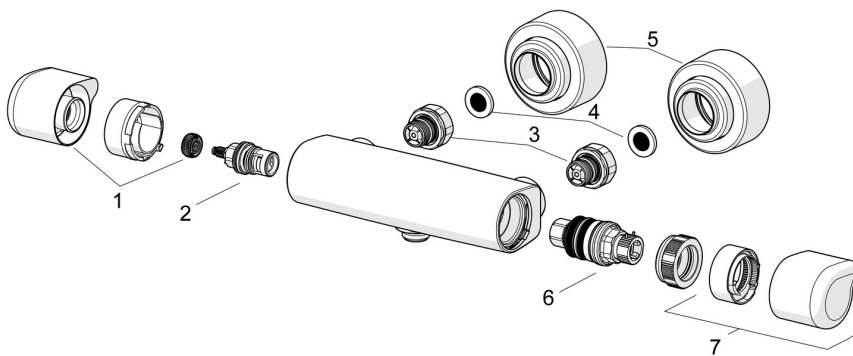
EN standard **EN 1111**
 Noise class **I (ISO 3822)**
 Noise class 0.2 l/s **I (ISO 3822)**

Approvals and Declarations

DVGW **NW-6509CR0103**
 ABP **PA-IX 29962/IB**
 Declaration of conformity **DoC**
 EPD **S-P-06397**



Spare parts



SP08707100

| | Name | Code |
|----|-----------------------------|----------|
| 01 | Flow control handle | 1006422V |
| 02 | Headpart, G1/2 | 59914207 |
| 03 | Combiner | 59914472 |
| 04 | Filter sealing, G3/4 | 59911076 |
| 05 | Cover flange | 1006473V |
| 06 | Thermostatic cartridge, 3.4 | 59914114 |
| 07 | Temperature control handle | 1005875V |