

EAN: 4015474105317  
[static.hansa.com/08649145](http://static.hansa.com/08649145)



- Bath tub & Shower
- Thermostatic
- Concealed wall mounting
- Chrome
- Temperature control handle, Flow control handle
- Thermostatic cartridge for automatic temperature control

## Technical data

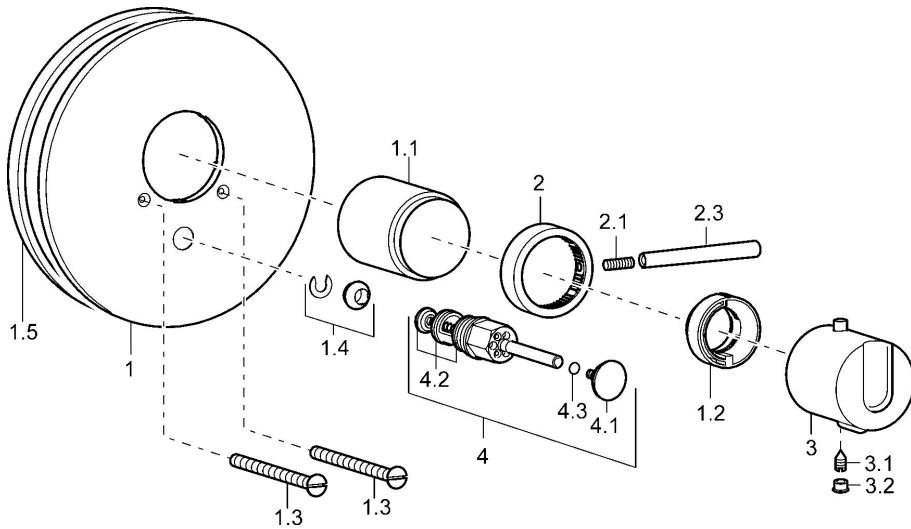
### Technical properties

Hot water supply	<b>max. +80°C</b>
Working pressure	<b>1-10 bar</b>

### Regulations

EN standard	<b>EN 1111</b>
-------------	----------------

## Spare parts



### SP08649145

	Name	Code
1	Cover plate Discontinued	59912125
1.1	Covering cap Discontinued	59912327
1.2	Temperature adjustment limiter	59906355
1.3	Screw, M5x65	59904847
1.4	Flow limiting cap	59904846
1.5	Rubber gasket	59912232
2	Flow control handle	59912130
2.1	Screw, M6x20	59911228
2.3	Lever, 80 mm	59912128
3	Temperature control handle Discontinued	59912796
3.1	Screw, M6x9.5	59901609
3.2	Cover plug	59911840
4	Diverter	59911156
4.2	Sealing kit	59904791
4.3	O-ring, d 4x1	59902331
N.I.	Raising kit, 35 mm	59911438