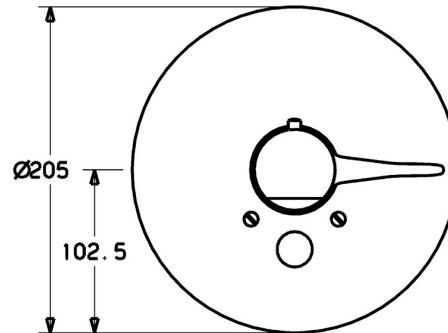
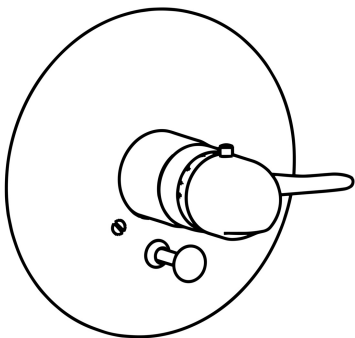


EAN: 4015474078161  
[static.hansa.com/08629175](https://static.hansa.com/08629175)



- Bathtub & Shower
- Thermostatic, Trim Kit
- Concealed wall mounting
- Chrome
- Temperature control handle
- Pull operated diverter, Automatic reset
- Safety stop against scalding at 38°C, Limitation option for maximum temperature and flow-rate
- Round rosette, Cover plate fixed with screws
- Renovation solution for already installed concealed bodies



## Technical data

### Technical properties

Hot water supply	max. +80°C
Working pressure	1-10 bar

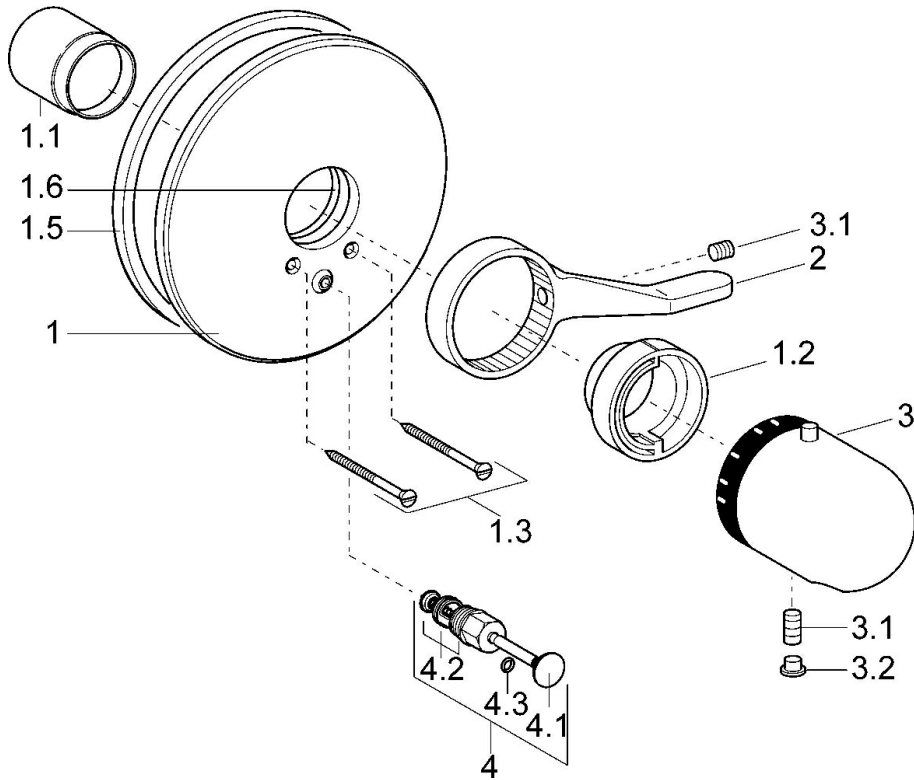
### Regulations

EN standard	EN 1111
-------------	---------

### Approvals and Declarations

Declaration of conformity	DoC
---------------------------	-----

## Spare parts



### SP08629175

	Name	Code
1	Cover plate, d 205 mm	59911967
1	Cover flange White Discontinued	59911968
1.1	Covering cap	59911570
1.1	Covering cap White Discontinued	59911572
1.1	Covering cap Gold Discontinued	59911575
1.2	Temperature adjustment limiter	59906355
1.2	Temperature adjustment limiter Gold Discontinued	59905713
1.3	Screw, M5x65	59904847
1.3	Screw, M5x65 Gold Discontinued	59904849
1.3	Screw, M5x65 White Discontinued	59906672
1.4	Flow limiting cap	59904846
1.5	Rubber gasket	59912232
1.6	O-ring, 55x2	59912543
2	Lever	59905722
2	Lever White Discontinued	59906138
3	Temperature control handle White Discontinued	59910306
3	Temperature control handle	59910304
3.1	Screw, M6x9.5	59901609
3.2	Cover plug	59911840
3.3	Rebound pin	59912005
4	Diverter White Discontinued	59910901
4	Diverter Gold Discontinued	59906392
4	Diverter	59910900
4.2	Sealing kit	59904791
4.3	O-ring, d 4x1	59902331
N.I.	Raising kit, 35 mm	59911438