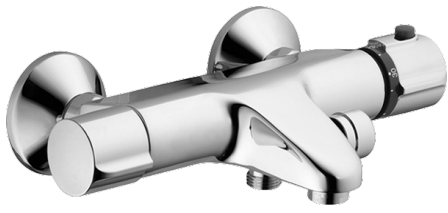
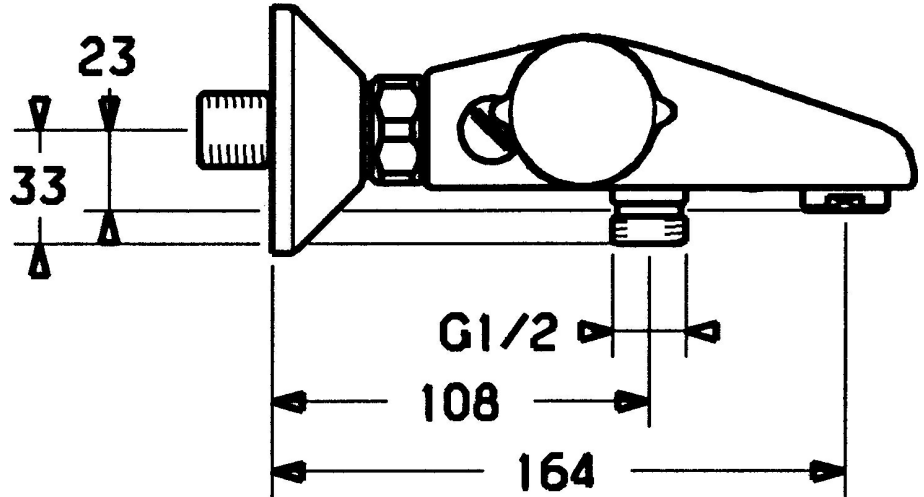
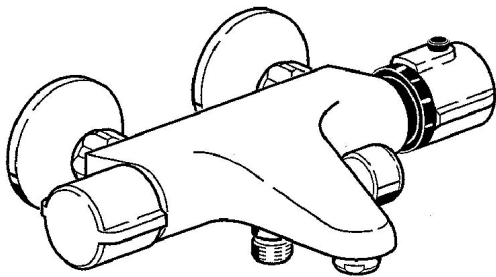


EAN: 4015474545298  
[static.hansa.com/08472101](http://static.hansa.com/08472101)



- Bathtub & Shower
- Thermostatic
- Wall mounted
- Chrome
- Standard aerator
- Temperature control handle, Flow control handle
- Thermostatic cartridge for automatic temperature control, Litter filter(s), Non-return valve(s)
- Silencer(s)
- protected against back-flow in domestic use (according to DIN EN 1717)



## Technical data

### Flow properties

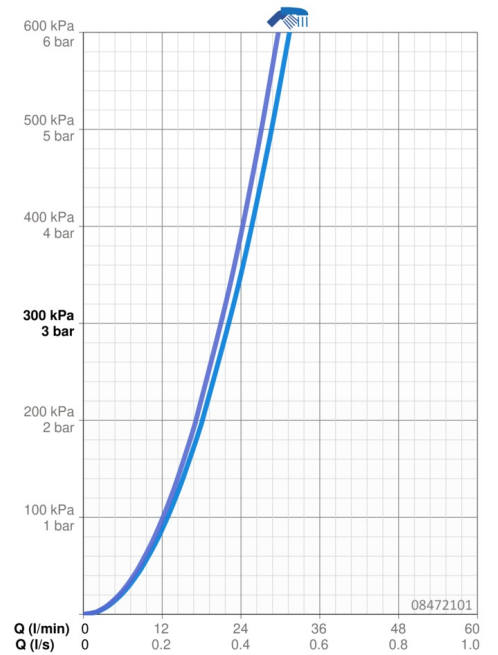
Flow-rate at 3 bar **22.2 / 21.0 l/min**

### Technical properties

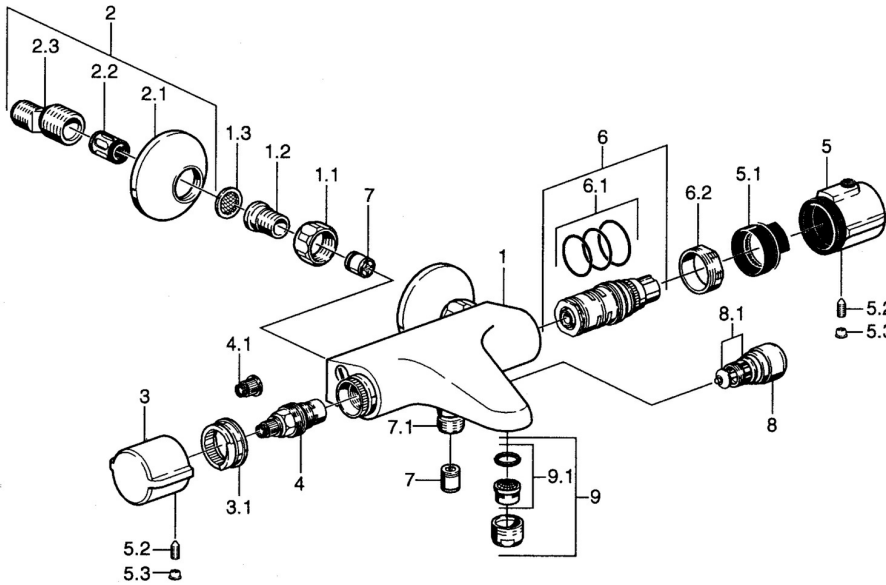
Hot water supply **max. +80°C**  
 Working pressure **1-10 bar**  
 Backflow prevention (EN1717) **EB**

### Regulations

EN standard **EN 1111**



## Spare parts



### SP08472101

	Name	Code
1.1	Connection nut, G3/4, AF30	59902230
1.2	Nipple	59911075
1.3	Filter sealing, G3/4	59911076
2	Eccentric, G3/4xG1/2	59904793
2.1	Cover flange	59904796
2.2	Silencer	59904792
2.3	Eccentric connector, G3/4xG1/2, DN15	59910254
3	Flow control handle	59911828
3.1	Adjusting ring	59911661
4	Headpart, G1/2, 180°	59911103
4.1	Adapter White	59910235
5	Temperature control handle	59911827
5	Temperature control handle, 38° limited	59911725
5.1	Temperature adjustment limiter	59911660
5.2	Screw, M6x9.5	59901609
5.3	Cover plug	59911840
6	Thermostatic cartridge	59911525
6.1	O-ring, d 26x2	59911081
6.2	Tightening nut, M34x1, SW32	59911082
7	Non-return valve	59905714
7.1	Thread nipple, G1/2xM18x1	59911384
8	Diverter	59910803
8.1	Sealing kit	59904791
9	Aerator, M24x1 D	59911829
9.1	Aerator, M22/M24	59905873
N.I.	Thermostatic cartridge, H/C reversed	59911527