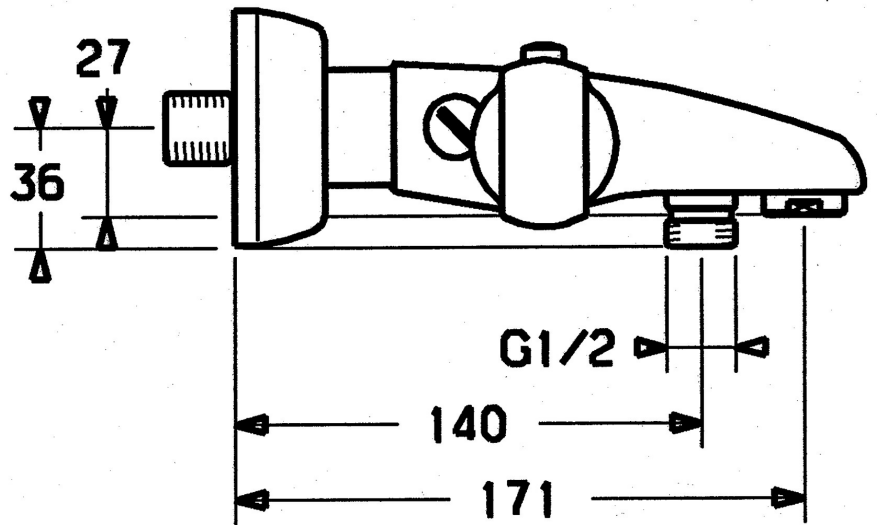


EAN: 4015474009028
static.hansa.com/08442104



- Bathtub & Shower
- Thermostatic
- Wall mounted
- Chrome
- Temperature control handle, Flow control handle
- Limitation option for maximum temperature and flow-rate, Safety stop against scalding at 38°C
- Thermostatic cartridge for automatic temperature control, Litter filter(s), Non-return valve(s)
- Silencer(s)
- protected against back-flow in domestic use (according to DIN EN 1717)



Technical data

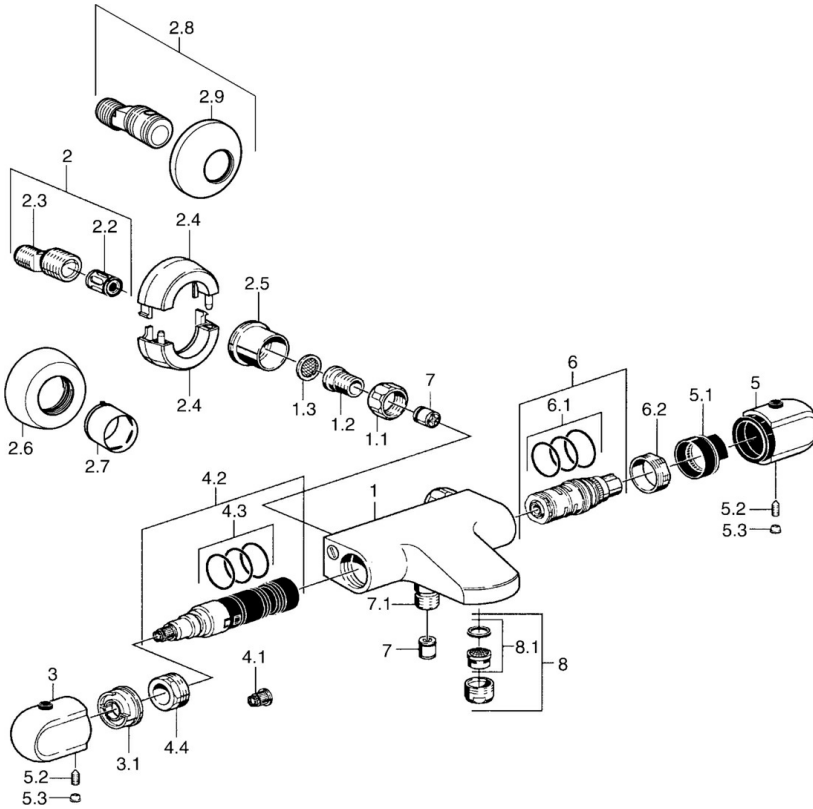
Technical properties

Hot water supply	max. +80°C
Working pressure	1-10 bar
Backflow prevention (EN1717)	EB
Material	Brass

Regulations

EN standard	EN 1111
-------------	----------------

Spare parts



SP08442104

	Name	Code
1.1	Connection nut, G3/4, AF30	59902230
1.2	Nipple	59911075
1.3	Filter sealing, G3/4	59911076
2	Eccentric connector, G3/4xG1/2, DN15	59910254
2.2	Silencer	59904792
2.4	Cover flange Discontinued	59911838
2.5	Cover sleeve	59912651
2.5	Bushing, G3/4 Discontinued	59911836
2.6	Cover flange	59912652
3	Flow control handle Discontinued	59911832
3.1	Flow limiter	59911897
4.1	Adapter White	59910235
4.2	Diverter	59911834
4.3	O-ring kit, d 24x2	59911835
4.4	Eye screw, M32x1.5	59911898
5	Temperature control handle	59911830
5	Temperature control handle, 38° limited	59911726
5.1	Temperature adjustment limiter	59911660
5.2	Screw, M6x9.5	59901609
5.3	Cover plug	59911840
6	Thermostatic cartridge	59911525
6.1	O-ring, d 26x2	59911081
6.2	Tightening nut, M34x1, SW32	59911082
7	Non-return valve	59905714
7.1	Thread nipple, G1/2xM18x1	59911384
8	Aerator, M24x1 D	59911829
8.1	Aerator, M22/M24	59905873
N.I.	Thermostatic cartridge, H/C reversed	59911527