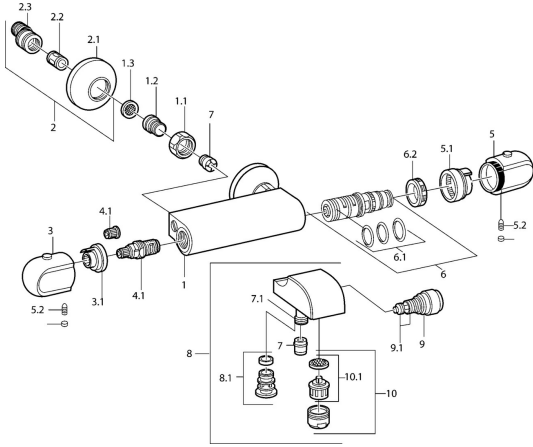


EAN: 4015474658509
static.hansa.com/08442102



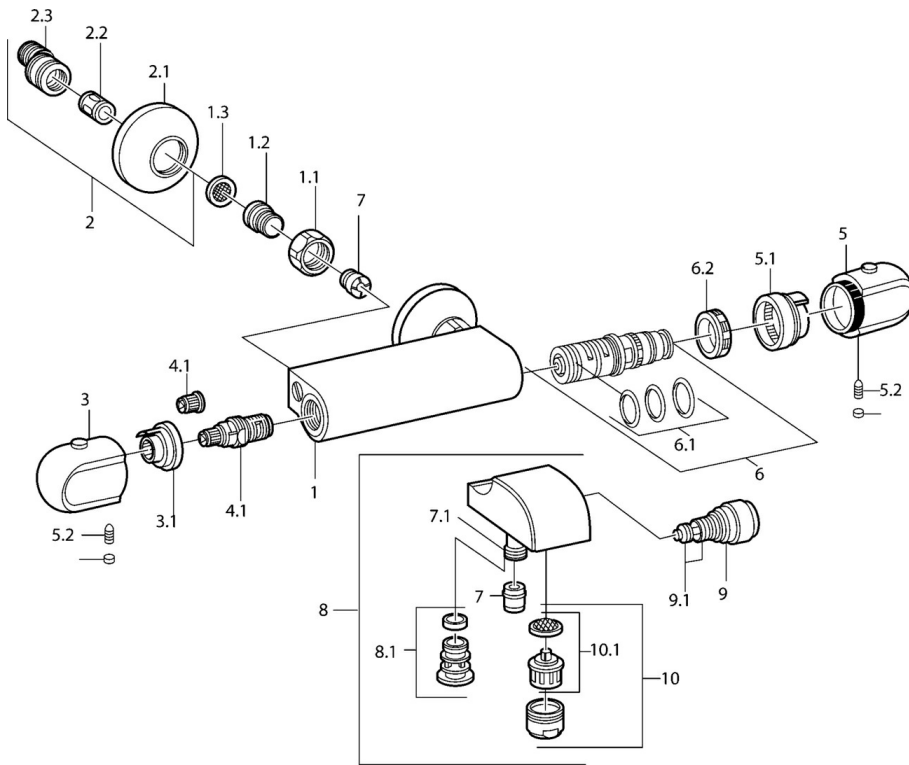
- Bath tub & Shower
- Thermostatic
- Wall mounted
- Chrome
- Temperature control handle, Flow control handle
- Litter filter(s), Non-return valve(s)
- Silencer(s)

Technical data

Technical properties

Hot water supply	max. +80°C
Working pressure	0.5-10 bar
Backflow prevention (EN1717)	EB

Spare parts



SP08442102

	Name	Code
1.1	Connection nut, G3/4, AF30	59902230
1.2	Nipple	59911075
1.3	Filter sealing, G3/4	59911076
2	Eccentric, G3/4xG1/2	59904793
2.1	Cover flange	59904796
2.2	Silencer	59904792
2.3	Eccentric connector, G3/4xG1/2, DN15	59910254
3	Flow control handle	59911656
3.1	Adjusting ring	59911661
4	Headpart, G1/2, 180°	59911103
4.1	Adapter White	59910235
5	Temperature control handle	59911830
5	Temperature control handle, 38° limited	59911726
5.1	Temperature adjustment limiter	59911660
5.2	Screw, M6x9.5	59901609
5.3	Cover plug	59911840
6	Thermostatic cartridge	59911525
6.1	O-ring, d 26x2	59911081
6.2	Tightening nut, M34x1, SW32	59911082
7	Non-return valve	59905714
7.1	Connector	59906277
7.2	Thread nipple, G1/2xM18x1	59911384
9	Diverter	59910803
9	Diverter White Discontinued	59910804
9.1	Sealing kit	59904791
10	Aerator, M28x1 C	59902088
10	Aerator, M28x1 C White Discontinued	59905683
10.1	Aerator, M28x1 C Discontinued	59902089
N.I.	Thermostatic cartridge, H/C reversed	59911527