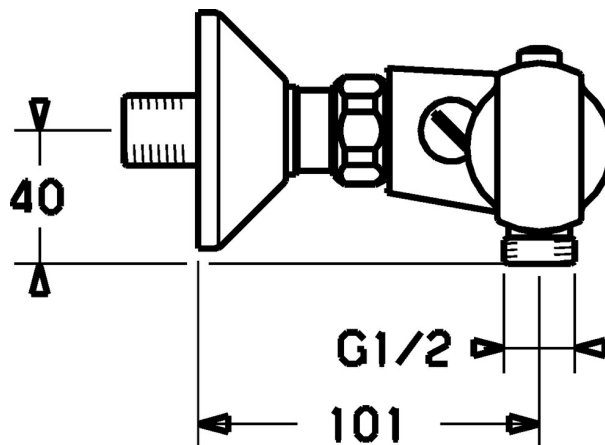
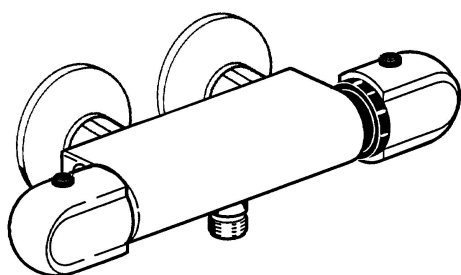


EAN: 4015474658479  
[static.hansa.com/08410202](http://static.hansa.com/08410202)



- Shower solutions
- Thermostatic
- Wall mounted
- Chrome
- Temperature control handle, Flow control handle
- Limitation option for maximum temperature and flow-rate, Safety stop against scalding at 38°C
- Litter filter(s), Non-return valve(s), Thermostatic cartridge for automatic temperature control
- protected against back-flow in domestic use (according to DIN EN 1717)

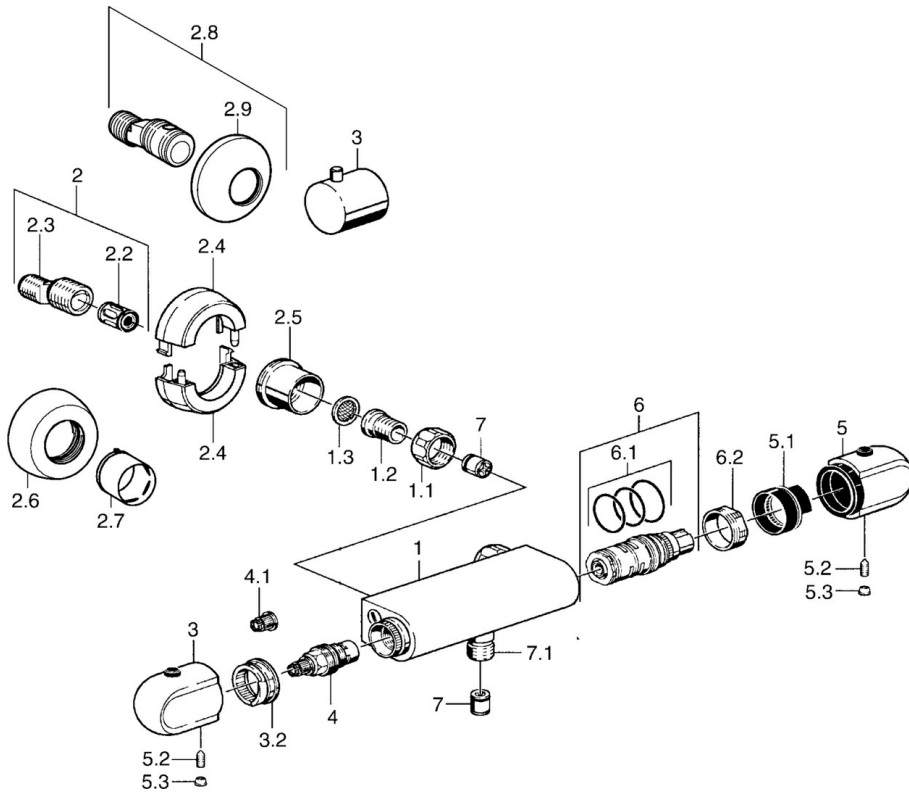


## Technical data

### Technical properties

Hot water supply	<b>max. +80°C</b>
Working pressure	<b>0.5-10 bar</b>
Backflow prevention (EN1717)	<b>EB</b>
Material	<b>Brass</b>

## Spare parts



### SP08410102

	Name	Code
1.1	Connection nut, G3/4, AF30	59902230
1.2	Nipple	59911075
1.3	Filter sealing, G3/4	59911076
2	Eccentric connector, G3/4xG1/2, DN15	59910254
2.2	Silencer	59904792
2.4	Cover flange Discontinued	59911838
2.5	Bushing, G3/4 Discontinued	59911836
2.6	Cover flange	59912652
2.7	Cover sleeve	59912651
2.8	Eccentric coupling with stop valves and cover plates, G1/2xG3/4	59902034
2.9	Cover flange	59904796
3	Flow control handle	59911656
3.2	Adjusting ring	59911661
4	Headpart, G1/2, 180°	59911103
4.1	Adapter White	59910235
5	Temperature control handle	59911830
5	Temperature control handle, 38° limited	59911726
5.1	Temperature adjustment limiter	59911660
5.2	Screw, M6x9.5	59901609
5.3	Cover plug	59911840
6	Thermostatic cartridge, H/C reversed	59911527
6	Thermostatic cartridge	59911525
6.1	O-ring, d 26x2	59911081
6.2	Tightening nut, M34x1, SW32	59911082
7	Non-return valve	59905714
7.1	Thread nipple, G1/2xM18x1	59911384
N.I.	Rebound pin	59912005