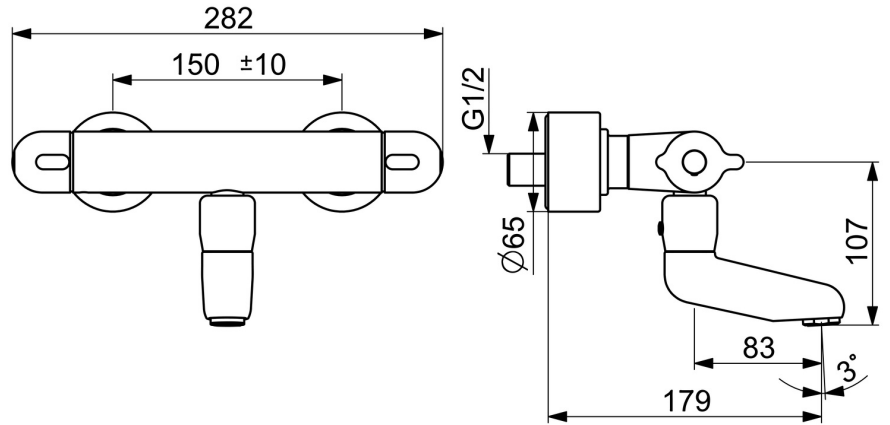
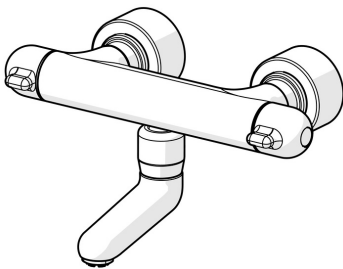


EAN: 4057304013393
static.hansa.com/08302281



- Health & Care
- Thermostatic
- Wall mounted
- Chrome
- Swivel spout, Lockable in the middle position
- Laminar stream
- Temperature control handle, Flow control handle, Hot/Cold symbols
- Limitation option for maximum temperature and flow-rate, The housing of the fittings conducts minimal heat
- Thermostatic cartridge for automatic temperature control, Ceramic head part for flow control, Litter filter(s), Non-return valve(s)
- Eccentric coupling(s), Cover plate(s), with integrated shut-off valve(s), Cover plate triple sealed
- Inner body made of DZR brass, Waterways without nickel coating, Thermal disinfection without cartridge readjustment
- Safety lock against scalding 38°C (36°-44°)



Technical data

Flow properties

Flow-rate at 3 bar **12.0 l/min**

Technical properties

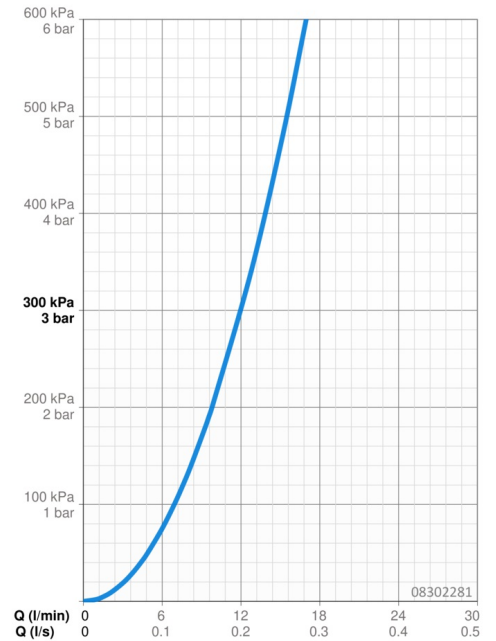
DN-size (nominal dimension) **DN15**
 Hot water supply **max. +80°C**
 Working pressure **1-10 bar**
 Installation width **150 ± 10 mm**
 Projection **179 mm**
 Backflow prevention (EN1717) **AA**
 Material **Brass**

Regulations

EN standard **EN 1111**

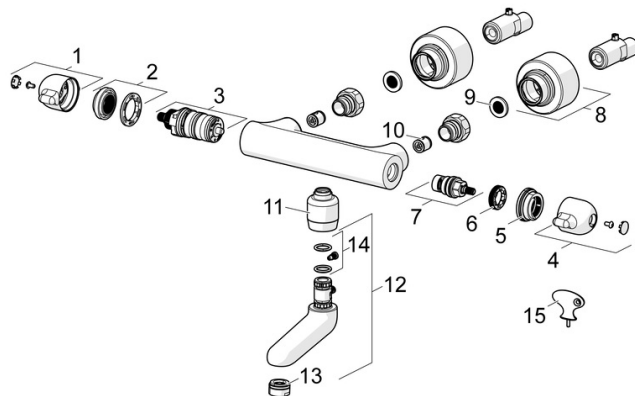
Approvals and Declarations

DVGW **NW-6509CR0103**
 ABP **PA-IX 29958/IA**
 Declaration of conformity **DoC**



Spare parts

SP08302281



	Name	Code
01	Temperature control handle	59914080
02	Temperature adjustment limiter	59914078
03	Thermostatic cartridge, 3.3	59913871
04	Flow control handle	59914081
05	Adjusting ring	59913940
06	Ring	59913469
07	Headpart, G1/2, 180°	59911103
08	Cover flange	59914083
09	Filter sealing, G3/4	59911076
10	Non-return valve, DN10 (2016-)	59914425
11	Adapter, M18x1 Discontinued	59913074
12	Spout, L=86	02682000
13	Aerator, M24x1 STD PL HC A Laminar (2013-)	59914054
14	Maintenance set	59912230
15	Key	59914077