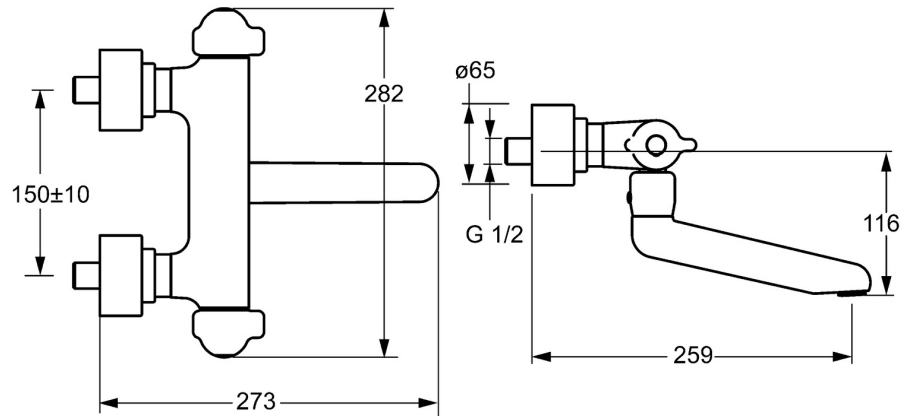
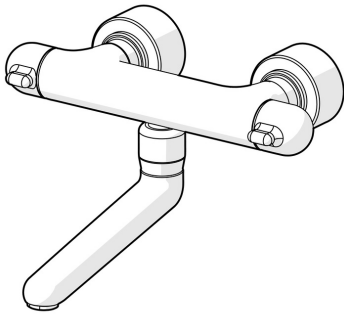


EAN: 4015474267404
static.hansa.com/08302201



- Health & Care
- Thermostatic
- Wall mounted
- Chrome
- Swivel spout, Lockable in the middle position
- Laminar stream
- Temperature control handle, Flow control handle, Hot/Cold symbols
- Limitation option for maximum temperature and flow-rate, The housing of the fittings conducts minimal heat
- Thermostatic cartridge for automatic temperature control, Litter filter(s), Ceramic head part for flow control, Non-return valve(s)
- Eccentric coupling(s), Cover plate(s), with integrated shut-off valve(s), Cover plate triple sealed
- Inner body made of DZR brass, Waterways without nickel coating, Thermal disinfection without cartridge readjustment
- Safety lock against scalding 38°C (36°-44°)



Technical data

Flow properties

Flow-rate at 3 bar **12.0 l/min**

Technical properties

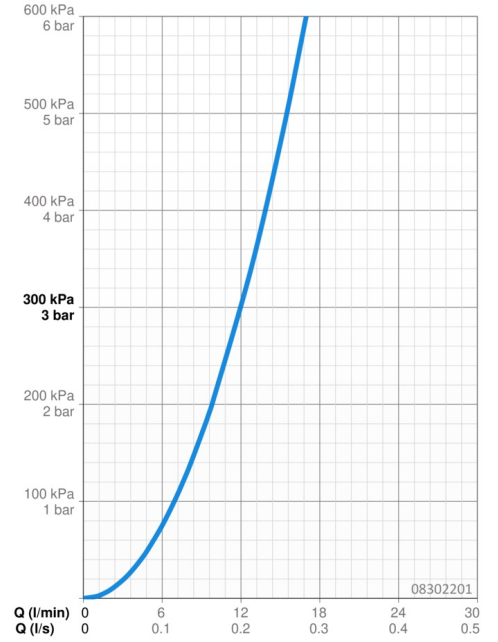
DN-size (nominal dimension) **DN15**
 Hot water supply **max. +80°C**
 Working pressure **1-10 bar**
 Installation width **150 ± 10 mm**
 Projection **259 mm**
 Backflow prevention (EN1717) **AA**
 Material **Brass**

Regulations

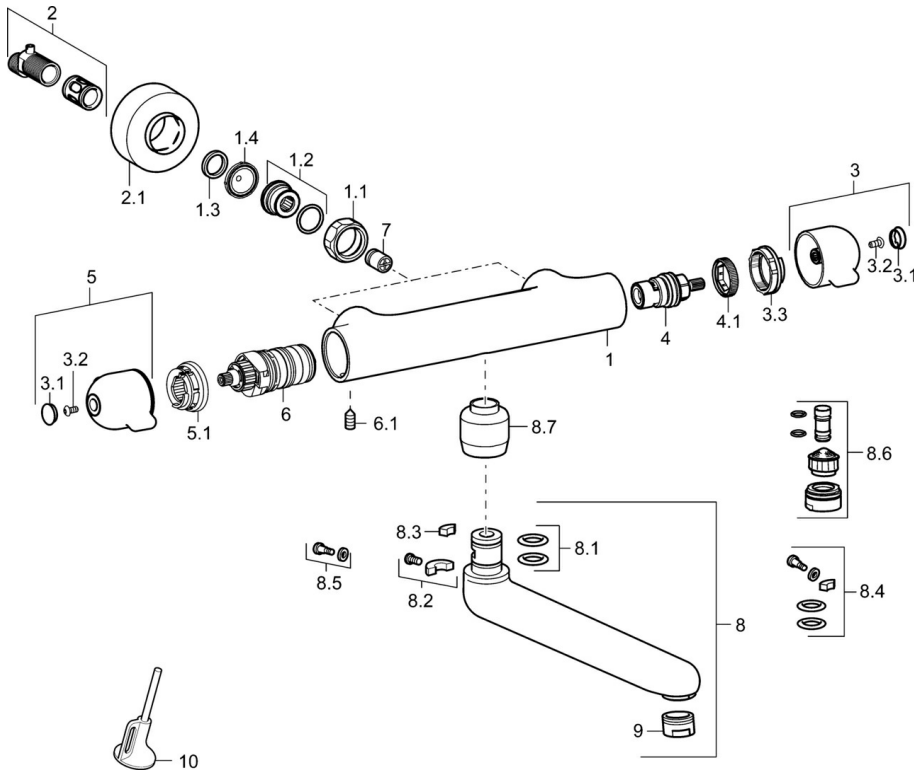
EN standard **EN 1111**

Approvals and Declarations

DVGW **NW-6509CR0103**
 ABP **PA-IX 29958/IA**
 Declaration of conformity **DoC**



Spare parts



SP08302201

	Name	Code
1.1	Connection nut, G3/4, AF30	59902230
1.2	Nipple	59911075
1.3	Retaining ring, 23.9x15.2x2	59902689
1.4	Filter sealing, G3/4	59911076
2	Eccentric	59914082
2.1	Cover flange	59914083
3	Flow control handle	59914081
3.1	Cap	59914079
3.2	Screw, M4x8	59913851
3.3	Adjusting ring	59913940
4	Headpart, G1/2, 180°	59911103
4.1	Ring	59913469
5	Temperature control handle	59914080
5.1	Temperature adjustment limiter	59914078
6	Thermostatic cartridge, 3.3	59913871
6.1	Screw, M6x9.5	59901609
7	Non-return valve	59905714
8	Spout, L=161	02692000
8.1	O-ring, d 15x2.5	59910423
8.2	Screw, M6x10, 2,5	59911435
8.2	Limiter	59910421
8.3	Limiter	59910422
8.4	Maintenance set	59912230
8.5	Fixing screw, M6x12, AF2.5	59904804
8.6	Emptying valve	59912483
8.7	Adapter, M18x1 Discontinued	59913074
9	Aerator, M24x1 STD PL HC A Laminar (2013-)	59914054
10	Key	59914077