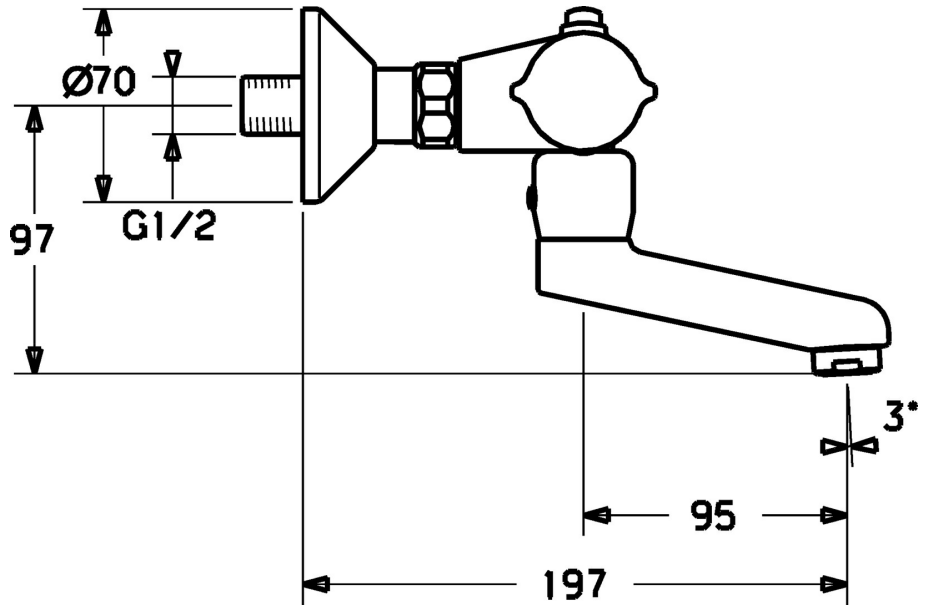
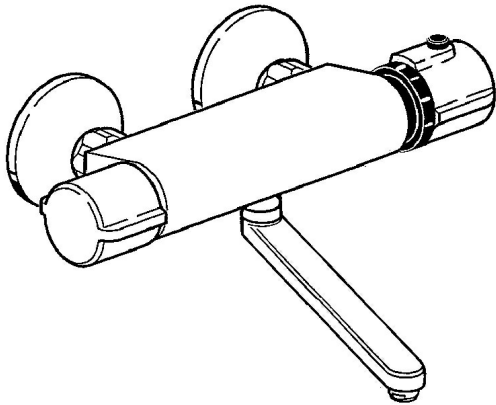


EAN: 4015474123953  
[static.hansa.com/08282201](http://static.hansa.com/08282201)



- Health & Care
- Thermostatic
- Wall mounted
- Chrome
- Swivel spout, Lockable in the middle position
- Temperature control handle, Flow control handle
- Adjustable hot water stop (included, retrofittable), Safety stop against scalding at 38°C
- Thermostatic cartridge for automatic temperature control, Litter filter(s), Ceramic head part for flow control, Non-return valve(s)
- Eccentric coupling(s), with integrated shut-off valve(s)
- Inner body made of DZR brass



## Technical data

### Flow properties

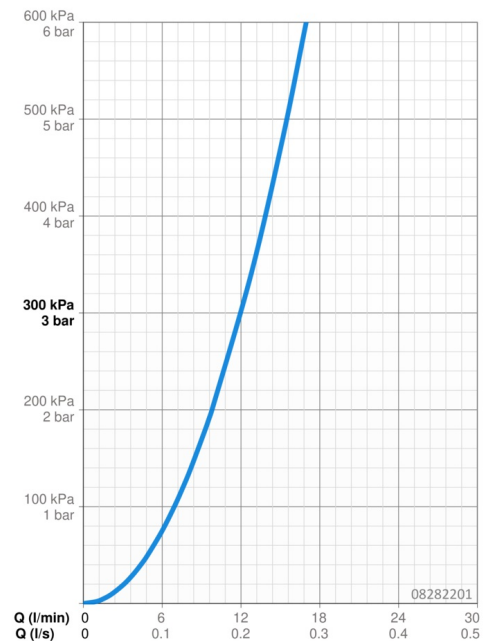
Flow-rate at 3 bar **12.0 l/min**

### Technical properties

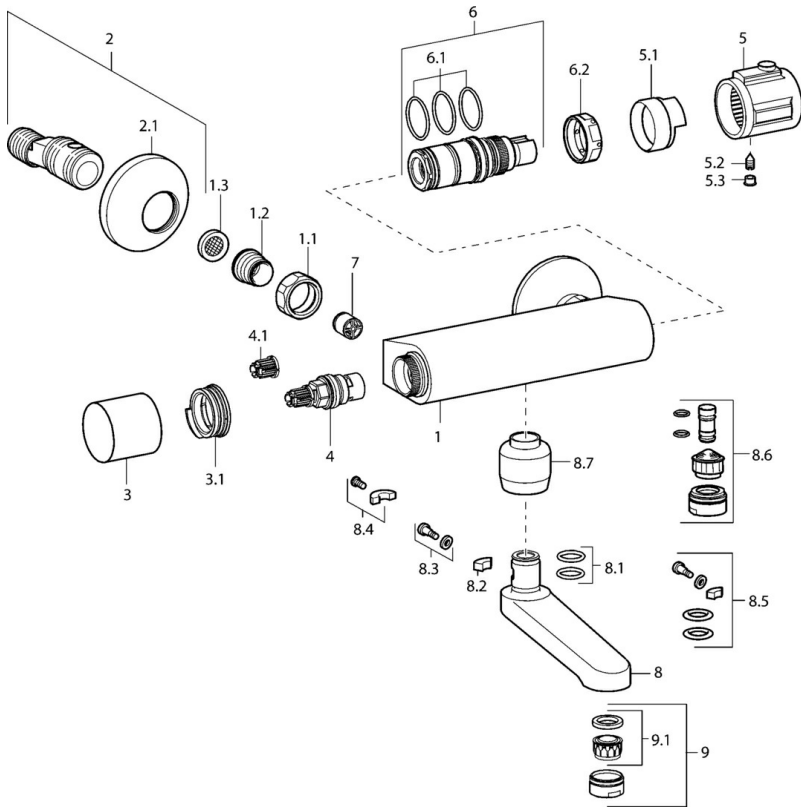
DN-size (nominal dimension) **DN15**  
 Hot water supply **max. +80°C**  
 Working pressure **1-10 bar**  
 Installation width **cc150 ± 20 mm**  
 Projection **197 mm**  
 Backflow prevention (EN1717) **EB**  
 Material **Brass**

### Regulations

EN standard **EN 1111**  
 Noise class **I (ISO 3822)**



## Spare parts



### SP08282201

	Name	Code
1.1	Connection nut, G3/4, AF30	59902230
1.2	Nipple	59911075
1.3	Filter sealing, G3/4	59911076
2	Eccentric coupling with stop valves and cover plates, G1/2xG3/4	59902034
2.1	Cover flange	59904796
3	Flow control handle	59911828
3.1	Adjusting ring	59911661
4	Headpart, G1/2, 180°	59911103
4.1	Adapter White	59910235
5	Temperature control handle, 38° limited	59911725
5	Temperature control handle	59911827
5.1	Temperature adjustment limiter	59911660
5.2	Screw, M6x9.5	59901609
5.3	Cover plug	59911840
6	Thermostatic cartridge	59911525
6.1	O-ring, d 26x2	59911081
6.2	Tightening nut, M34x1, SW32	59911082
7	Non-return valve	59905714
8	Spout, L=116 Discontinued	59912048
8	Spout, L=145	59911380
8	Spout, L=96 (2019-)	59914765
8	Spout, L=235	59910417
8	Spout, L=170	59911183
8	Spout, L=96	59910419
8.1	O-ring, d 15x2.5	59910423
8.2	Limiter	59910422
8.3	Fixing screw, M6x12, AF2.5	59904804
8.4	Limiter	59910421
8.5	Maintenance set	59912230
8.6	Emptying valve	59912483
8.7	Adapter, M18x1 Discontinued	59913074
9	Aerator, M24x1 STD HC A	59902366
9.1	Aerator, M22/24 A	59902081
N.I.	Thermostatic cartridge, H/C reversed	59911527
N.I.	Rebound pin	59912005