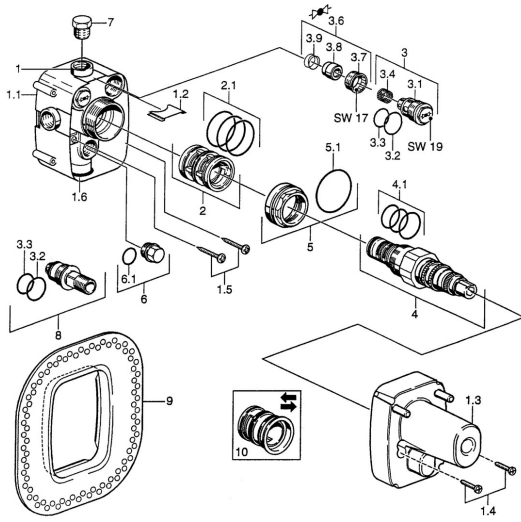


EAN: 4015474680227
static.hansa.com/08210100



- Bathtub & Shower
- Concealed unit, Thermostatic
- Concealed wall mounting
- Chrome
- Thermostatic cartridge for automatic temperature control

Technical data

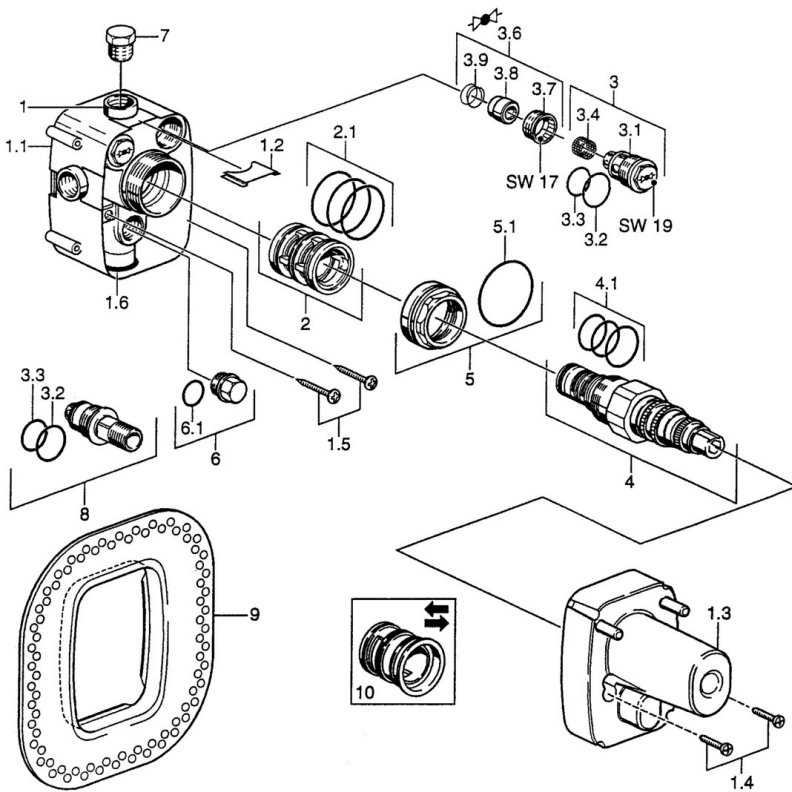
Technical properties

Hot water supply	max. +80°C
Working pressure	1-10 bar

Regulations

EN standard	EN 1111
-------------	----------------

Spare parts



SP08210100

	Name	Code
1.1	Installation box Discontinued	59911500
1.2	Plug Discontinued	59911501
1.3	Protective cap Discontinued	59911502
1.4	Screw, M5x25 Discontinued	59911503
1.5	Screw, 5.5x33 Discontinued	59911504
1.6	Form sealing Discontinued	59911505
2	Adapter	59911899
2.1	O-ring, d 40x2	59911507
3	Maintenance set, (-2003)	59911508
3.2	O-ring, d 25x2.5	59905053
3.3	O-ring, d 23x1	59911509
3.4	Strainer	59911510
3.6	Shut-off valve	59911511
4	Thermostatic cartridge Discontinued	59911850
4.1	O-ring, d 26x2	59911081
4.3	Screw sleeve Discontinued	59911909
4.4	Temperature adjustment limiter	59911660
5	Nut, M52x1, SW45 Discontinued	59911901
5.1	O-ring, 50.52x1.78	59906841
6	Plug Discontinued	59905012
6.1	O-ring, d 18x2	59901422
7	Plug, G1/2	59905013
8	Flush connector Discontinued	59911419
9	Gasket ring	59911418
10	Adapter Discontinued	59911428