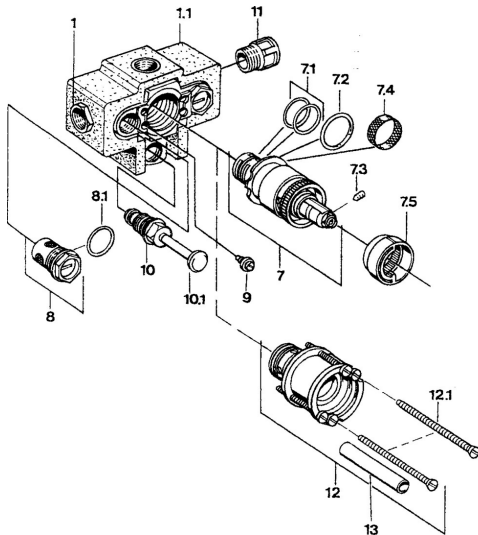


EAN: 4015474604292
static.hansa.com/08100100



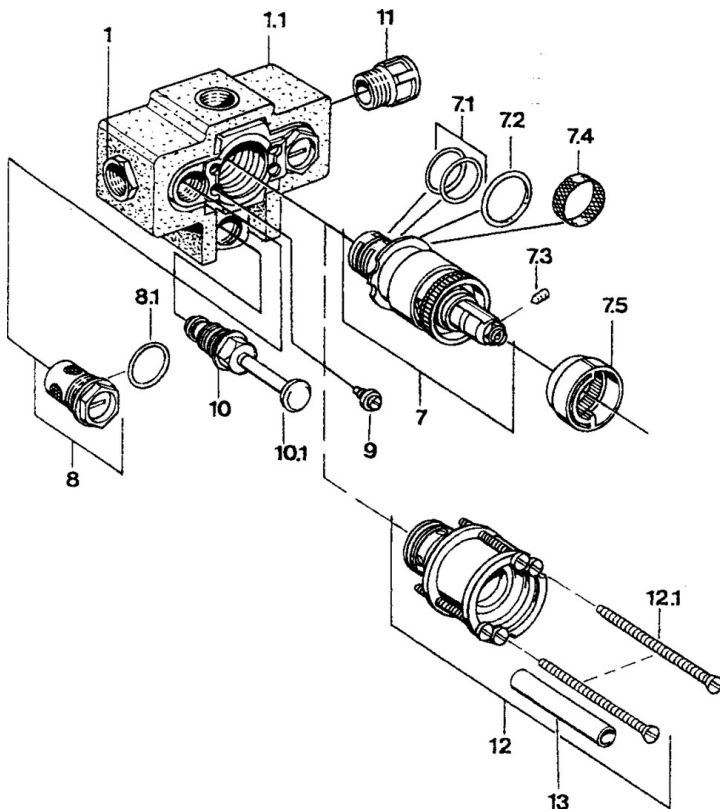
- Bath tub & Shower
- Concealed unit
- Concealed wall mounting
- Chrome

Technical data

Technical properties

Hot water supply	max. +80°C
Working pressure	0.5-10 bar

Spare parts



SP08100100

Name	Code
7 Thermostatic cartridge, G1/2	59904501
7.1 O-ring, d 27x2	59901532
7.2 O-ring, 35x2.5	59905020
7.3 Screw, M4x4	59901027
7.4 Strainer, 0.16 mm Discontinued	59905036
7.5 Temperature adjustment limiter	59906355
8 Shut-off valve Discontinued	59910325
9 Screw, M6	59901641
10 Diverter	59910900
10.1 Push button	59904828
10.2 Sealing kit	59904791
12.1 Screw, M5x105 Discontinued	59901639