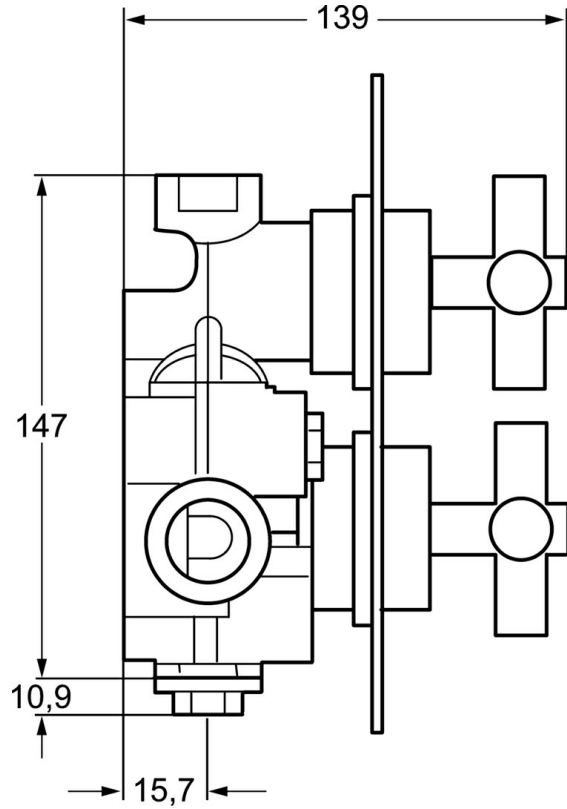
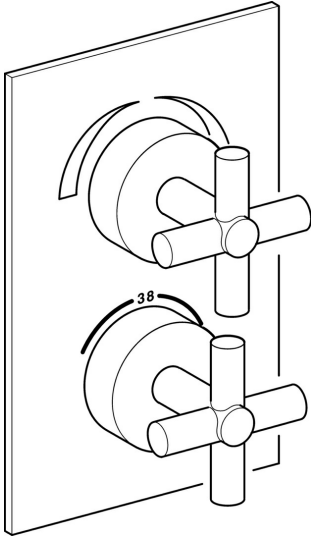


EAN: 4015474210028
static.hansa.com/08070102

- Bathtub & Shower
- Trim Kit
- Concealed wall mounting
- Chrome
- Cross shape
- Integrated into flow control handle
- Thermostatic cartridge for automatic temperature control, Litter filter(s), Non-return valve(s)
- with integrated shut-off valve(s)
- Inner body made of DZR brass
- Square rosette



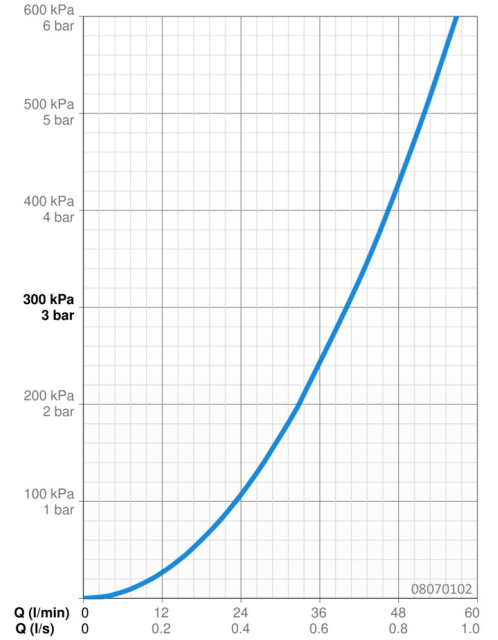
Technical data

Flow properties

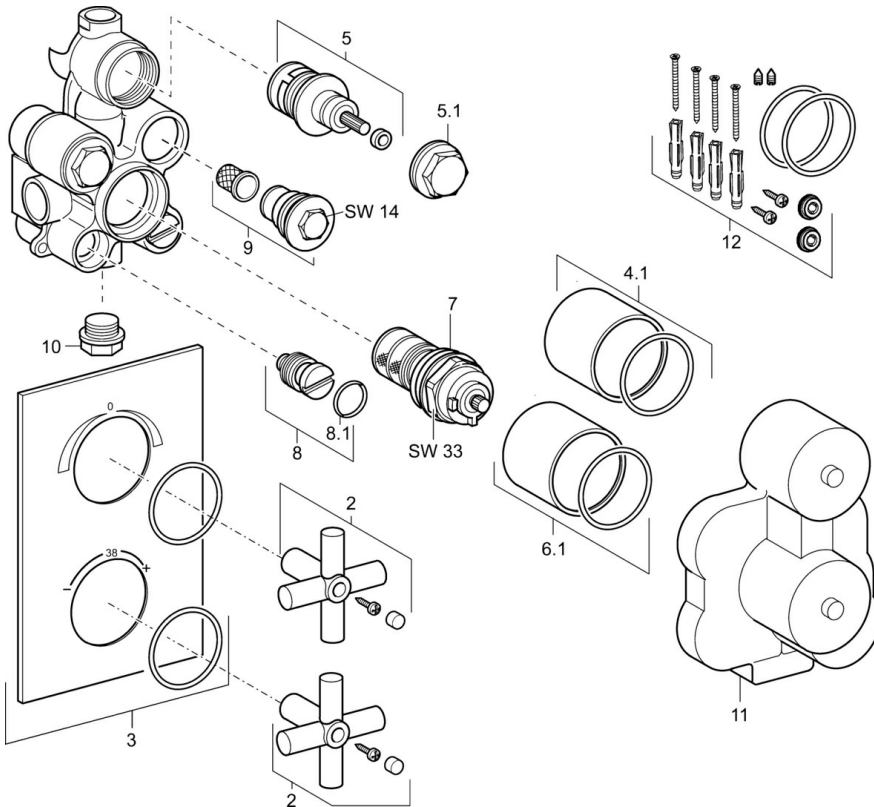
Flow-rate at 3 bar **40.2 l/min**

Technical properties

Hot water supply **max. +80°C**
 Working pressure **0.5-10 bar**
 Backflow prevention (EN1717) **EB**



Spare parts



SP08070102

	Name	Code
2	Handle Discontinued	59913934
3	Cover plate	59913924
4.1	Outer spindle Discontinued	59913922
5	Headpart	59913929
5.1	Eye screw Discontinued	59913928
6.1	Outer spindle Discontinued	59913923
7	Thermostatic element, DN20	59913060
8	Shut-off valve Discontinued	59913931
8.1		
9	Non-return valve	59913930
10	Plug, G1/2 Discontinued	59913932
11		
12	Sealing kit	59913935