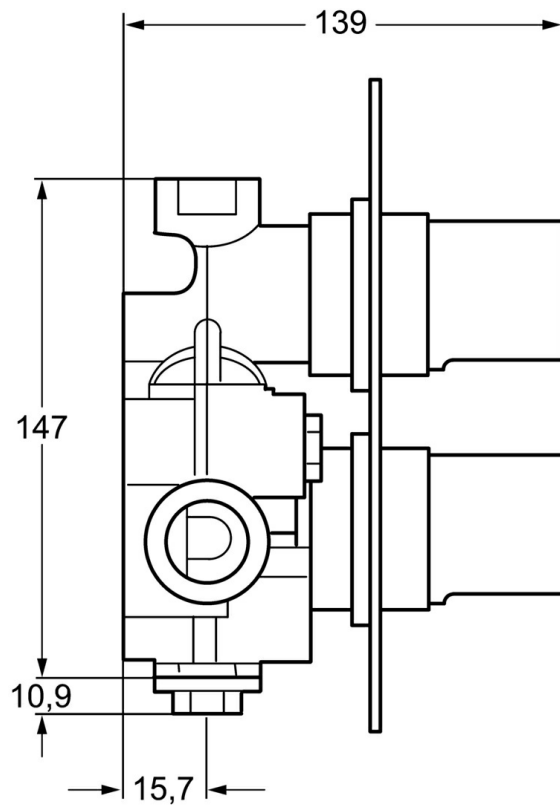
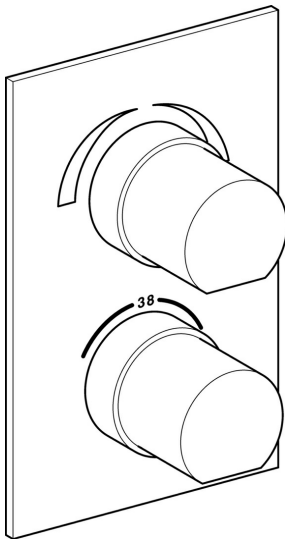


EAN: 4015474209985  
[static.hansa.com/08070101](http://static.hansa.com/08070101)



- Bathtub & Shower
- Trim Kit
- Concealed wall mounting
- Chrome
- Integrated into flow control handle
- Thermostatic cartridge for automatic temperature control, Litter filter(s), Non-return valve(s)
- with integrated shut-off valve(s)
- Inner body made of DZR brass
- Square rosette



## Technical data

### Flow properties

Flow-rate at 3 bar **40.2 l/min**

### Technical properties

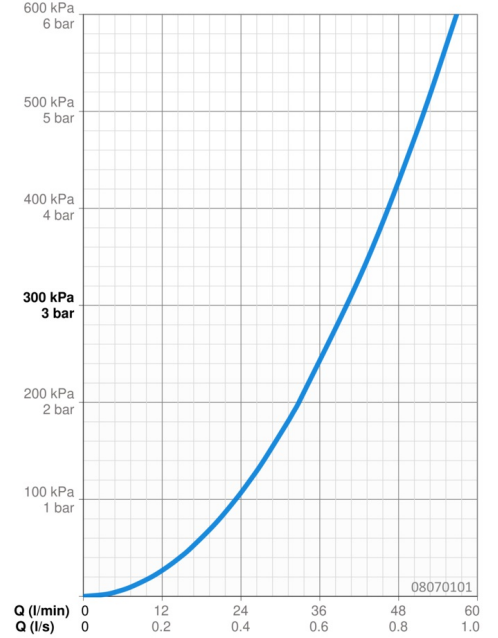
Hot water supply **max. +80°C**  
 Working pressure **0.1-1 bar**  
 Backflow prevention (EN1717) **EB**

### Regulations

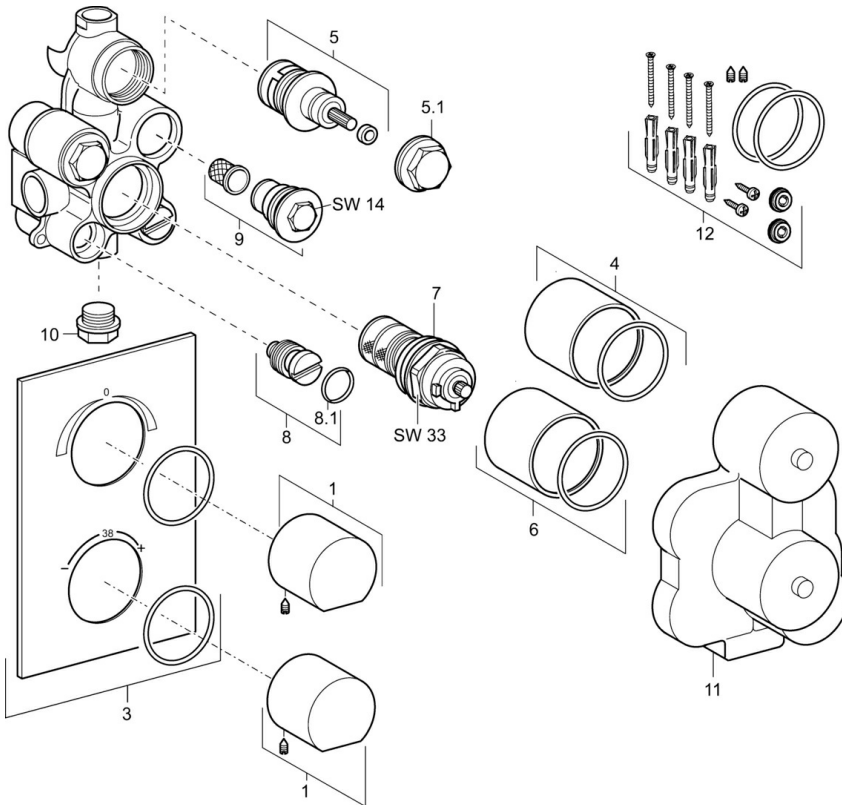
EN standard **EN 1111**

### Approvals and Declarations

Declaration of conformity **DoC**



## Spare parts



### SP08070101

	Name	Code
1	Handle	59913925
3	Cover plate	59913924
4	Cover sleeve	59913926
5	Headpart	59913929
5.1	Eye screw Discontinued	59913928
6	Cover sleeve	59913927
7	Thermostatic element, DN20	59913060
8	Shut-off valve Discontinued	59913931
9	Non-return valve	59913930
10	Plug, G1/2 Discontinued	59913932
12	Sealing kit	59913935