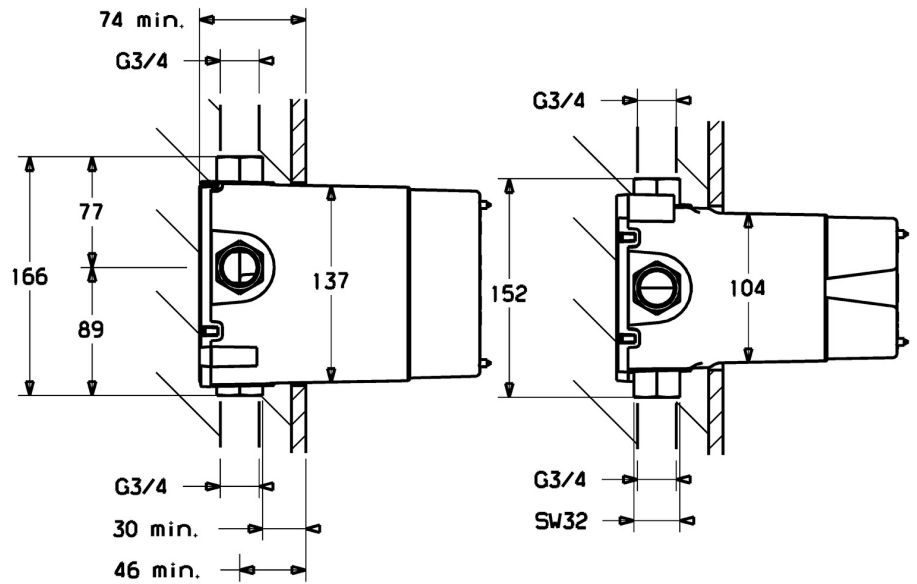
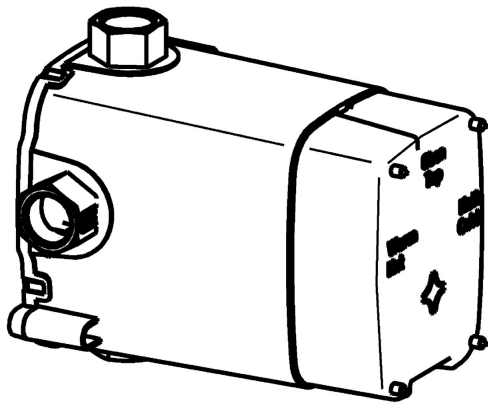


EAN: 4015474065772
static.hansa.com/08050290



- Bathtub & Shower
- Concealed unit, Thermostatic
- Concealed wall mounting
- Thermostatic cartridge for automatic temperature control
- with integrated shut-off valve(s)
- Inner body made of DZR brass
- Function unit, Gasket sleeve for dry mortarless construction, Mounting box and cover sleeve



Technical data

Flow properties

Flow-rate at 3 bar **64.8 l/min**

Technical properties

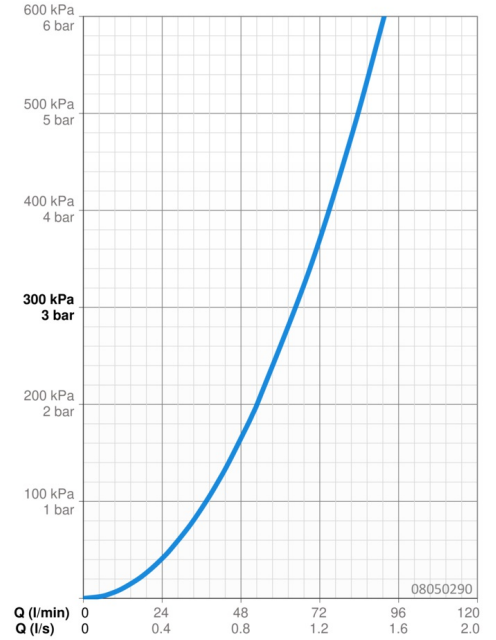
DN-size (nominal dimension) **DN20**
 Hot water supply **max. +80°C**
 Working pressure **1-10 bar**
 Connection size **G3/4**

Regulations

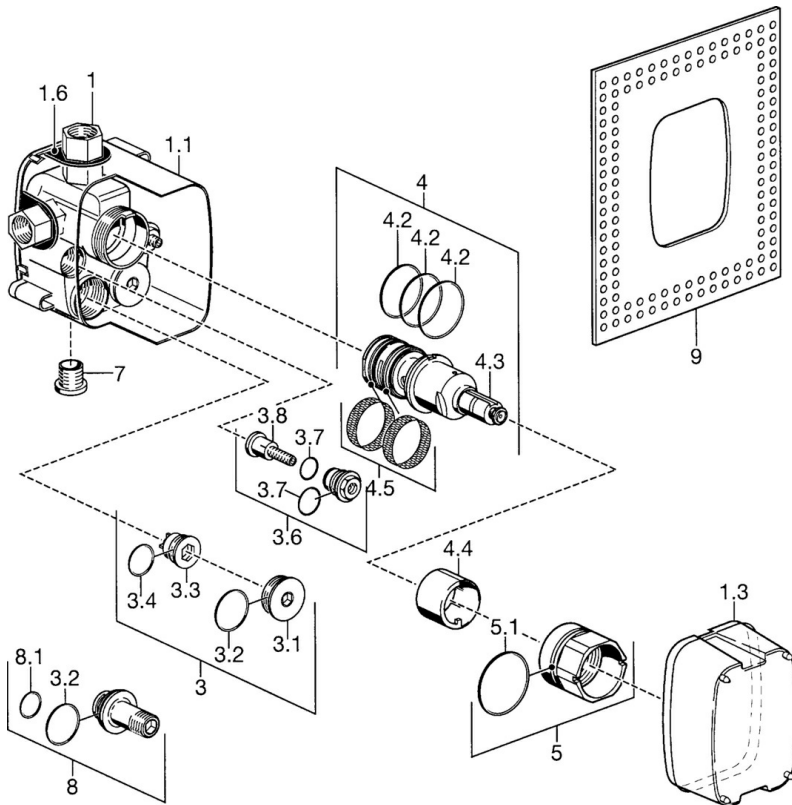
EN standard **EN 1111**
 Noise class **II (ISO 3822)**

Approvals and Declarations

Declaration of conformity **DoC**



Spare parts



SP08050290

	Name	Code
1.1	Installation box Discontinued	59912379
1.3	Protective cap Discontinued	59912380
3	Maintenance set	59912382
3.6	Shut-off valve	59912383
3.7	O-ring, 14x2/19x2	59912384
4	Thermostatic cartridge, DN20, G3/4	59912331
4.2	O-ring, d 40x2	59911507
4.3	Screw, M4x4	59901027
4.4	Fixing sleeve	59911515
4.5	Strainer Discontinued	59912460
5	Eye screw, M52x1, SW 50	59911516
5.1	O-ring, 50.52x1.78	59906841
7	Plug, G3/4 Discontinued	59912385
8	Flush connector	59912386
9	Gasket ring	59911418
N.I.	Thermostatic cartridge, G3/4, H/C reversed	59912461
N.I.	Raising kit, 35 mm	59912459
N.I.	Flush connector	59912386