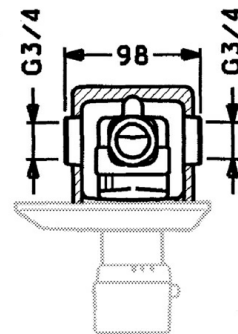
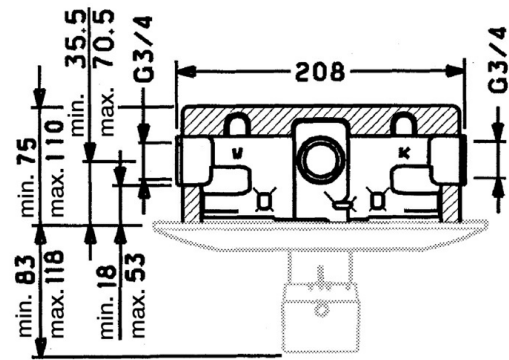


EAN: 4015474596016
static.hansa.com/08050100

- Bathtub & Shower
- Concealed unit, Thermostatic
- Concealed wall mounting
- Chrome
- Safety stop against scalding at 38°C
- Thermostatic cartridge for automatic temperature control, Non-return valve(s), Litter filter(s)
- with integrated shut-off valve(s)
- Insulating pack made of styrofoam
- Without flow control, Without diverter, Without temperature control



Technical data

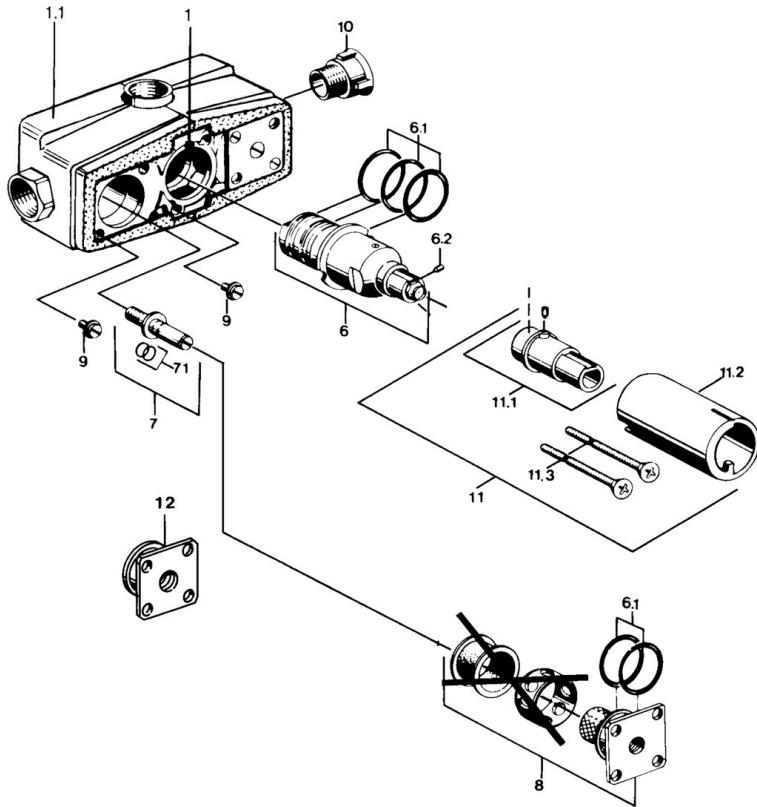
Technical properties

DN-size (nominal dimension)	DN20
Hot water supply	max. +80°C
Working pressure	1-10 bar
Connection size	G3/4
Backflow prevention (EN1717)	EB

Regulations

EN standard	EN 1111
-------------	----------------

Spare parts



SP08050100

Name	Code	
6	Thermostatic cartridge, G3/4	59904908
6.1	O-ring, 35x2.5	59905020
6.2	Screw, M4x4	59901027
6.3	Sealing kit Discontinued	59910657
7	Shut-off spindle	59904913
7.1	O-ring, d 6.75x1.78	59902351
8	Non-return valve, G3/4	59904912
9	Screw, M8x12	59905022
11	Raising kit, 35 mm	59901607
11.1	Fixing bolt Discontinued	59901647
11.3	Screw, M5x105 Discontinued	59901639
N.I.	Thermostatic cartridge, G3/4, H/C reversed	59906201