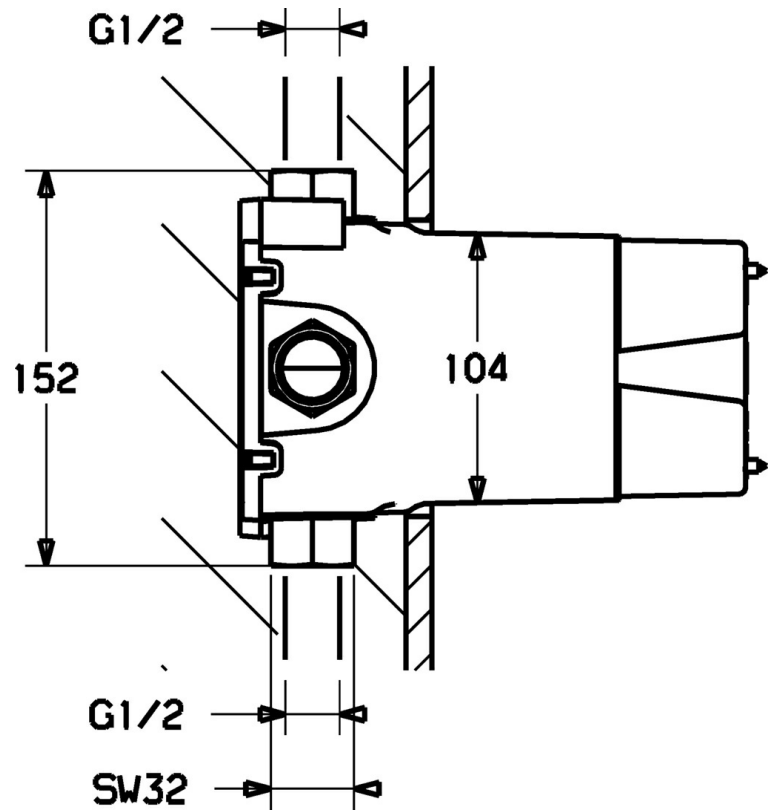
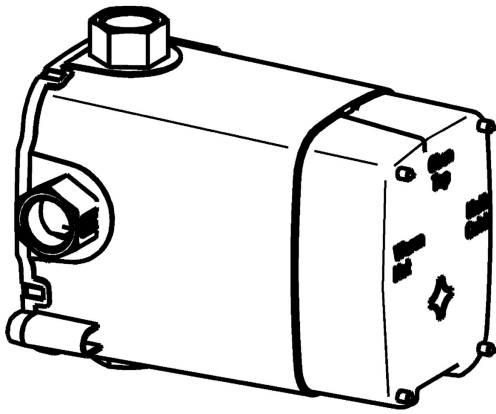


EAN: 4015474068483
static.hansa.com/08040290

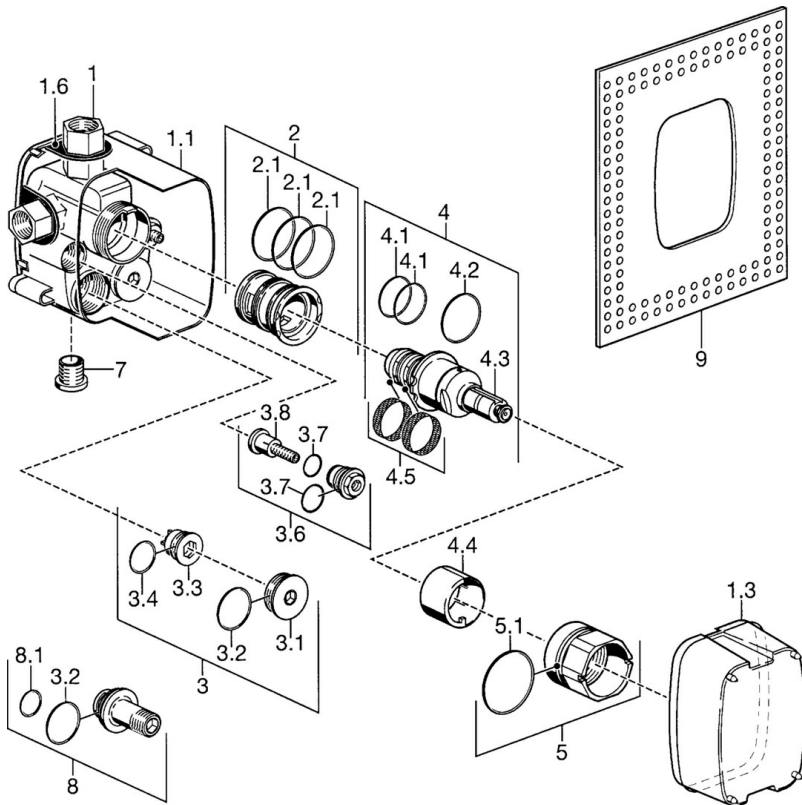


- Accessories
- Thermostatic
- Concealed wall mounting
- Thermostatic cartridge for automatic temperature control



Technical data

Spare parts



SP08040290

	Name	Code
1.1	Installation box Discontinued	59912379
1.3	Protective cap Discontinued	59912380
2	Adapter Discontinued	59912381
2.1	O-ring, d 40x2	59911507
3	Maintenance set	59912382
3.6	Shut-off valve	59912383
3.7	O-ring, 14x2/19x2	59912384
4	Thermostatic cartridge, G1/2	59901640
4.1	O-ring, d 27x2	59901532
4.2	O-ring, 35x2.5	59905020
4.3	Screw, M4x4	59901027
4.4	Fixing sleeve	59911515
4.5	Strainer, 0.16 mm Discontinued	59905036
5	Eye screw, M52x1, SW 50	59911516
5.1	O-ring, 50.52x1.78	59906841
7	Plug, G1/2	59905013
8	Flush connector	59912386
9	Gasket ring	59911418
N.I.	Thermostatic cartridge, H/C reversed	59901940
N.I.	Flush connector	59912386
N.I.	Raising kit, 35 mm	59912459