

EAN: 4015474681514
static.hansa.com/08040190



- Bathtub & Shower
- Concealed unit, Thermostatic
- Concealed wall mounting
- Chrome
- Thermostatic cartridge for automatic temperature control
- protected against back-flow in domestic use (according to DIN EN 1717)

Technical data

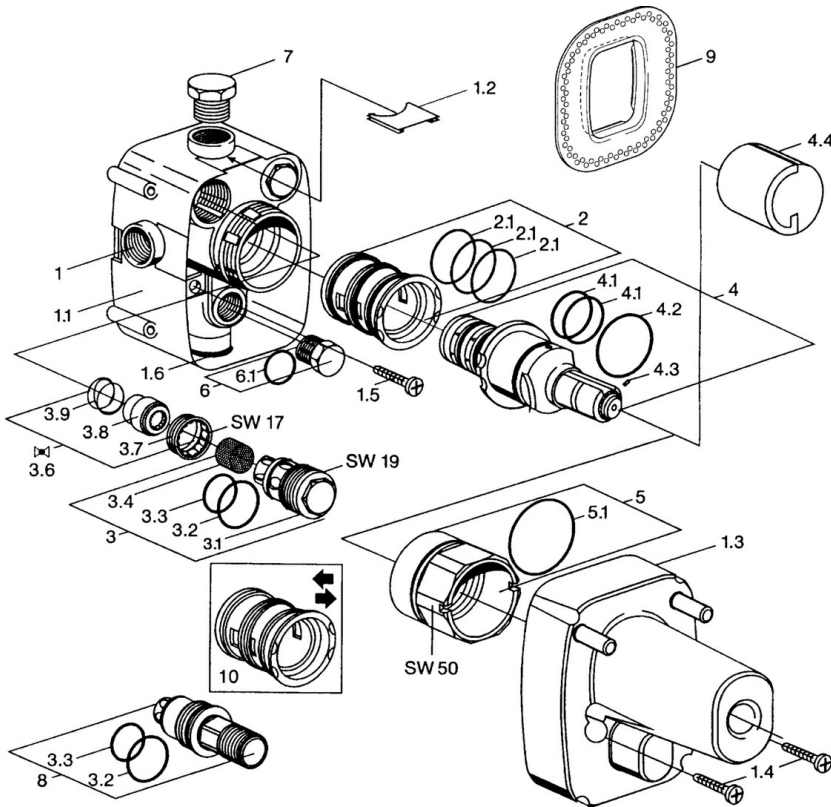
Technical properties

Hot water supply	max. +80°C
Working pressure	1-10 bar

Regulations

EN standard	EN 1111
-------------	----------------

Spare parts



SP08040190

	Name	Code
1.1	Installation box Discontinued	59911500
1.2	Plug Discontinued	59911501
1.3	Protective cap Discontinued	59911502
1.4	Screw, M5x25 Discontinued	59911503
1.5	Screw, 5.5x33 Discontinued	59911504
1.6	Form sealing Discontinued	59911505
2	Adapter	59911514
2.1	O-ring, d 40x2	59911507
3	Maintenance set, (-2003)	59911508
3	Maintenance set, (2003-)	59694623
3.2	O-ring, d 25x2.5	59905053
3.3	O-ring, d 23x1	59911509
3.4	Strainer	59911510
3.6	Shut-off valve	59911511
4	Thermostatic cartridge, G1/2	59901640
4.1	O-ring, d 27x2	59901532
4.2	O-ring, 35x2.5	59905020
4.3	Screw, M4x4	59901027
4.4	Fixing sleeve	59911515
5	Eye screw, M52x1, SW 50	59911516
5.1	O-ring, 50.52x1.78	59906841
6	Plug Discontinued	59905012
6.1	O-ring, d 18x2	59901422
7	Plug, G1/2	59905013
8	Flush connector Discontinued	59911419
9	Gasket ring	59911418
10	Adapter, H/C reversed Discontinued	59911430
N.I.	Tool	59914066
N.I.	Raising kit, 35 mm	59911438