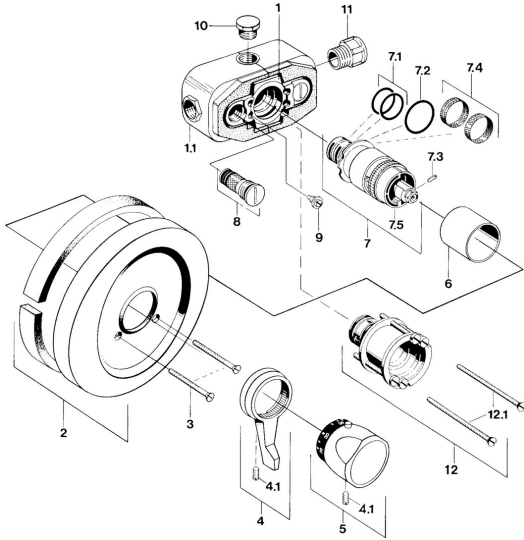


EAN: 4015474596467  
[static.hansa.com/08030100](http://static.hansa.com/08030100)



- Bathtub & Shower
- Concealed unit, Thermostatic
- Concealed wall mounting
- Chrome
- Thermostatic cartridge for automatic temperature control

## Technical data

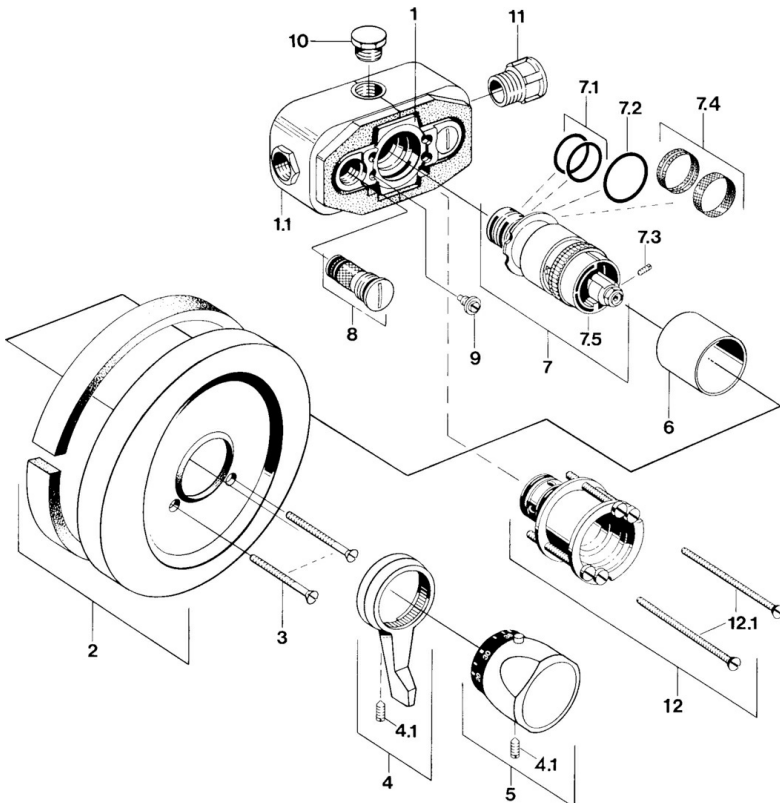
### Technical properties

Hot water supply	<b>max. +80°C</b>
Working pressure	<b>1-10 bar</b>

### Regulations

EN standard	<b>EN 1111</b>
-------------	----------------

## Spare parts



### SP08030100

	Name	Code
3	Screw, M5x65	59904847
4	Lever	59905722
4.1	Screw, M6x9.5	59901609
6	Cover sleeve	59904502
7	Thermostatic cartridge, G1/2	59904501
7.1	O-ring, d 27x2	59901532
7.2	O-ring, 35x2.5	59905020
7.3	Screw, M4x4	59901027
7.4	Strainer, 0.16 mm Discontinued	59905036
7.5	Temperature adjustment limiter	59906355
8	Filter sealing	59904503
9	Screw, M6	59901641
10	Plug, G1/2	59905013
12	Raising kit, 35 mm Discontinued	59904602
12.1	Screw, M5x105 Discontinued	59901639