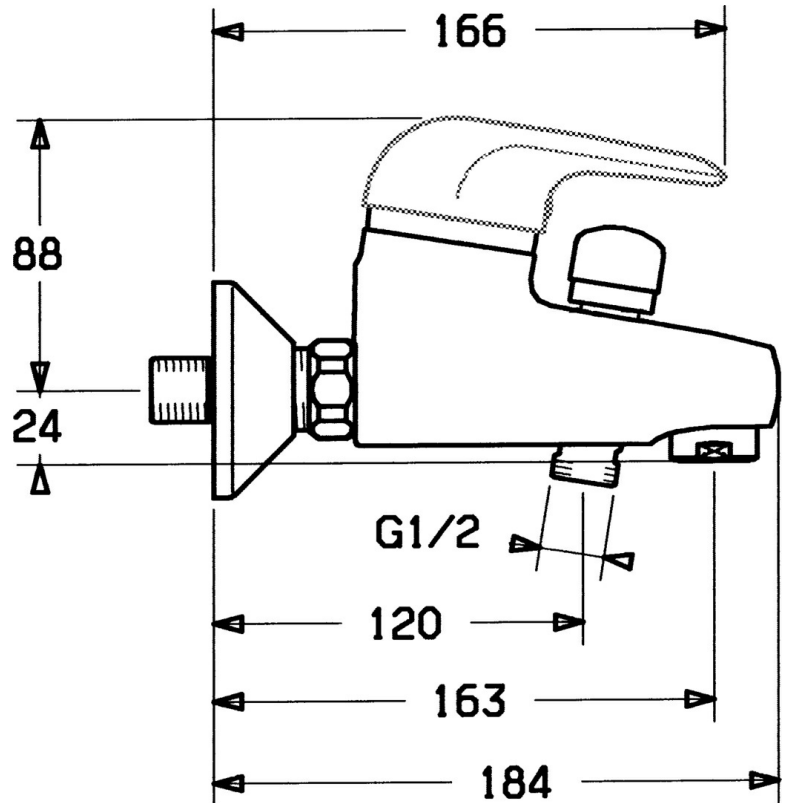


EAN: 4015474656925
static.hansa.com/07782100



- Bathtub & Shower
- Single-lever
- Wall mounted
- Chrome
- Non-return valve(s)
- Without operation lever

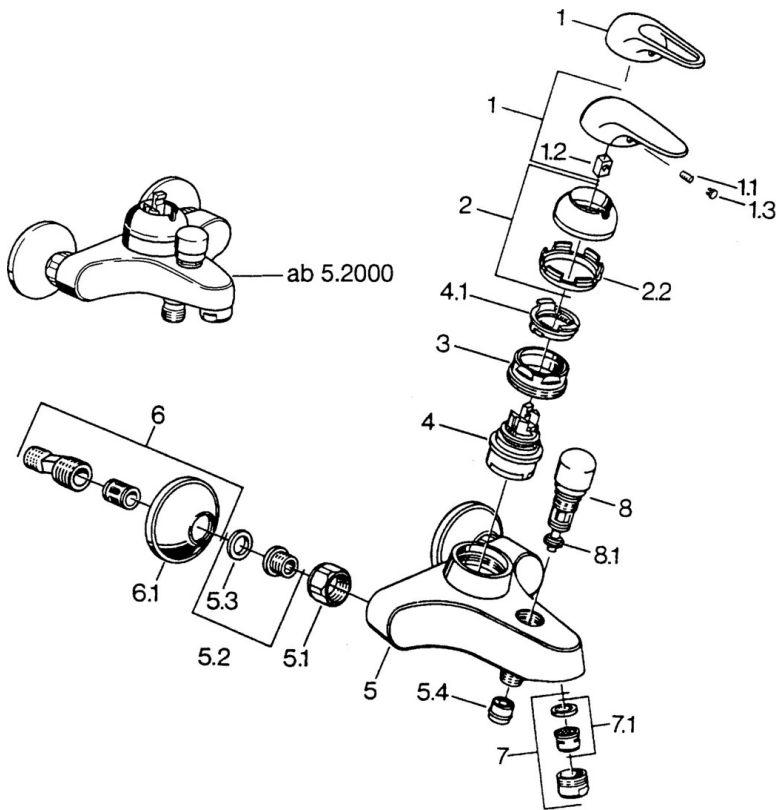


Technical data

Technical properties

Hot water supply	max. +80°C
Working pressure	0.5-10 bar
Backflow prevention (EN1717)	EB

Spare parts



SP07782100

	Name	Code
2	Covering cap	59906563
2.2	Fixing sleeve	59906695
3	Eye screw, M50x1, SW45	59904775
4	Cartridge, 4.8 eco	59904601
4.1	Hot water limiter	59904759
5.1	Connection nut, G3/4, AF30	59902230
5.2	Seat, G1/2, L, WAF10	59904618
5.3	Retaining ring, 23.9x15.2x2	59902689
5.4	Non-return valve	59905714
6	Eccentric, G3/4xG1/2	59904793
7	Aerator, M24x1 B	59905872
7	Aerator, M28x1 C	59902088
7.1	Aerator, M22/M24	59905873
8	Diverter White Discontinued	59910804
8	Diverter	59910803
8.1	Sealing kit	59904791