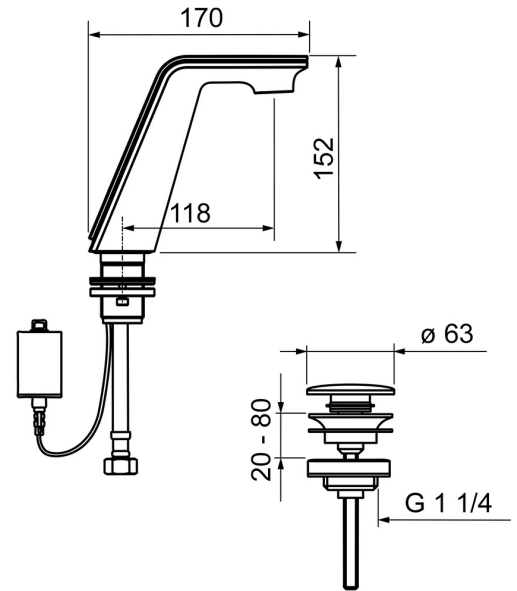
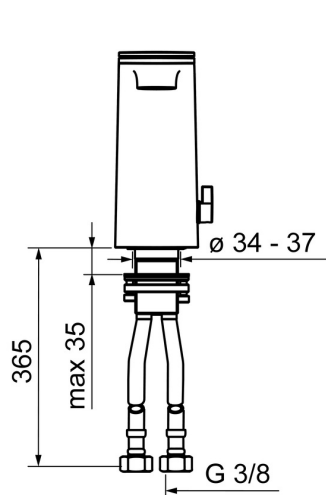
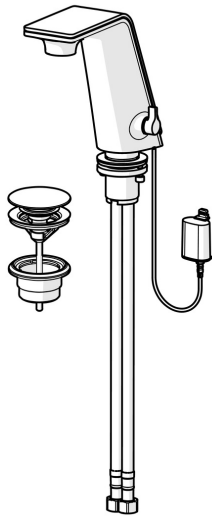


EAN: 4015470030408
static.hansa.com/07732201



- Washbasin
- Tiptronic, Battery-operated
- Deck mounted
- Chrome/White
- Fixed spout
- Adjustable flow angle, Hidden aerator
- Temperature control handle
- Push pop-up waste without draw-rod
- Mixing valve for manual temperature control
- Low battery indicator, Light indicated function(s), External control unit
- Flexible inlet pipes
- Software settings adjustable via magnetic key, Waterways without nickel coating



Technical data

Flow properties

Flow-rate at 3 bar (with flow controller) **4.2 l/min**

Technical properties

DN-size (nominal dimension) **DN15**
 Hot water supply **max. +70°C**
 Working pressure **1-10 bar**
 Connection size **G3/8**
 Projection **118 mm**
 Backflow prevention (EN1717) **AA**

Software settings

Automatic flush **off (off/12/24/48/72 h)**
 Automatic flush period **30 s (10-600 s)**
 Max. flow period **6 s (4 s-60 s) / 60 s (30 s-600 s)**

Electronic properties

Battery **Lithium 2CR5 6 V**

Regulations

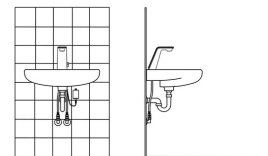
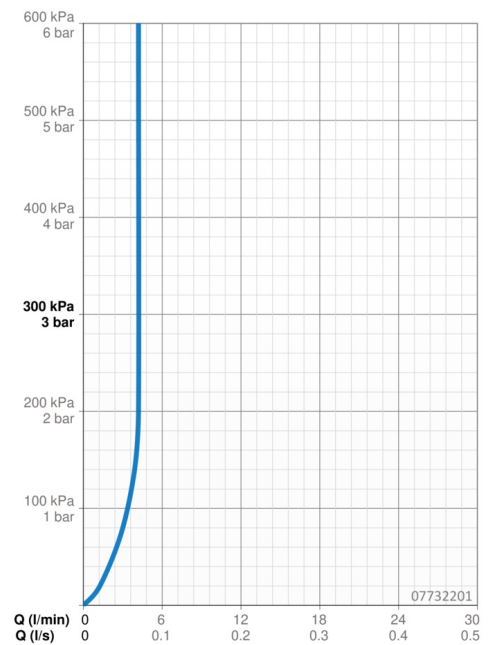
EU Directives **C E EMC Directive 2014/30/EU, RoHS Directive 2011/65/EU**
 EN standard **EN 15091, ETSI EN 301 489-1 V1.9.2, ETSI EN 300 328 v2.2.2, EN 61000-6-1:2007, EN 61000-6-3:2007+A1:2011+AC:2012, EN 60335-1:2012+A11+A13+A1+A14+A2+A15:2021, Part 19.11.4**
 Noise class **I (ISO 3822)**
 Protection class **IP 44**

Approvals and Declarations

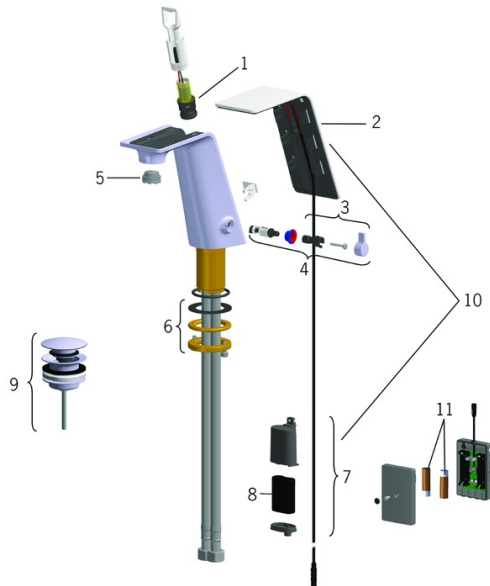
UN38.3 **UN38-3 Energizer L91**
 Declaration of conformity **EMC**



reddot award 2016
winner



Spare parts



SP07732201

| | Name | Code |
|----|---|----------|
| 01 | Solenoid valve complete | 59914439 |
| 02 | Cover | 59914440 |
| 03 | Temperature control handle Discontinued | 59914441 |
| 04 | Temperature regulator | 59914442 |
| 05 | Aerator and key, M21.5x1 HC B | 59914443 |
| 06 | Fixing nut kit Discontinued | 59914444 |
| 07 | Battery casing, 2CR5 6 V | 59914088 |
| 08 | Battery, 2CR5 6 V | 59911670 |
| 09 | Rapid pop-up waste | 59913988 |
| 10 | Update kit, -08/19 | 59914772 |
| 11 | Battery, 1.5 V AA Lithium | 59914136 |